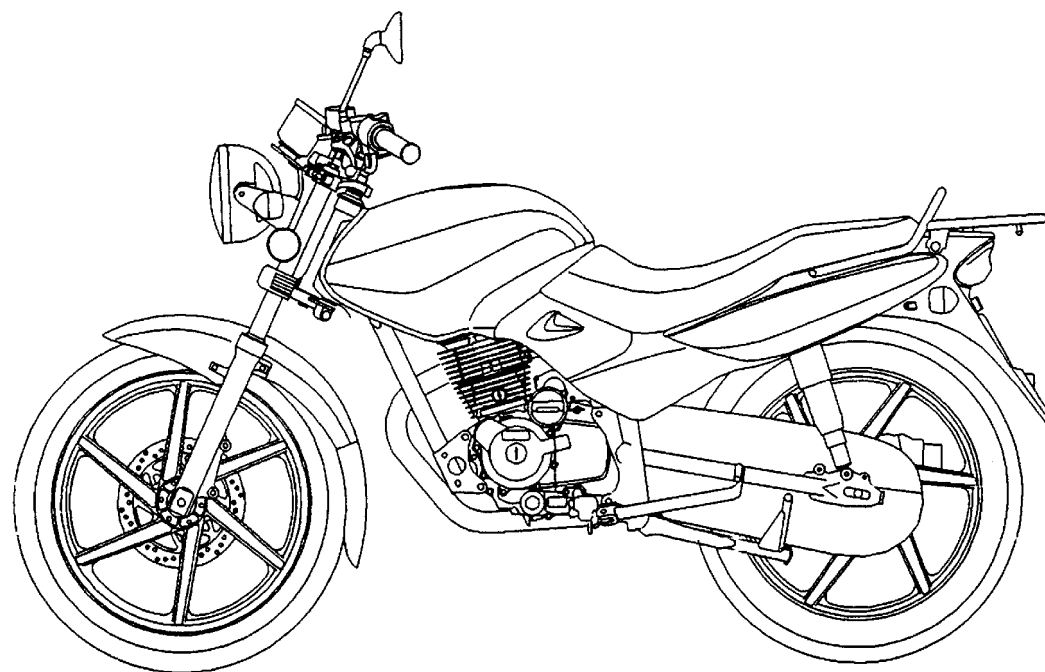




零件型錄

PARTS CATALOGUE

RA25EA(TK) : OCT/01/'04 制訂



光陽機車

KYMCO

光陽機車

KYMCO

光陽機車

KYMCO

前 言

- 本零件目錄適用於 RA25EA(TK) 機種，訂購零件時，請參照本冊。
- 本冊之配色表僅供參考，若與實車不符之處，以實車為準。
- 販賣記號(Sales mark)：
 - 1、註明 ★★ 記號，表示訂購該零件時，請參照機車相片及配色表，並請在基本零件號碼最後加上色碼。
- 本冊付梓印刷倉促，倘有錯誤或遺漏之處，敬請不吝賜教指正。

ABOUT THIS PARTS LIST

- This parts list is compiled all service parts for model RA25EA(TK)。
- Any difference between color chart and motorcycle will be revised according to motorcycle。
- The sales mark：
 - 1、marking "★★" must add color code in the end before ordering parts。
- When modification or additions to this parts list are made a revised edition at an appropriate time。

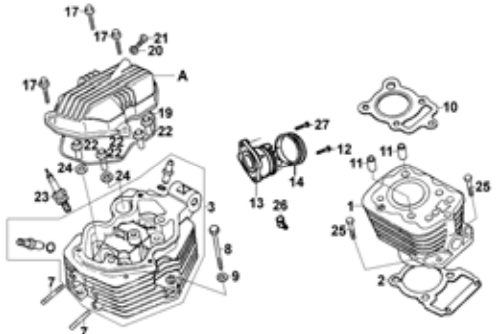
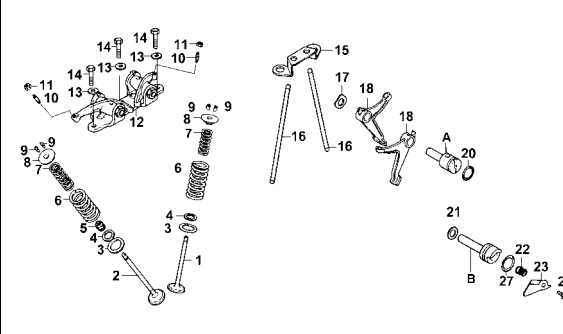
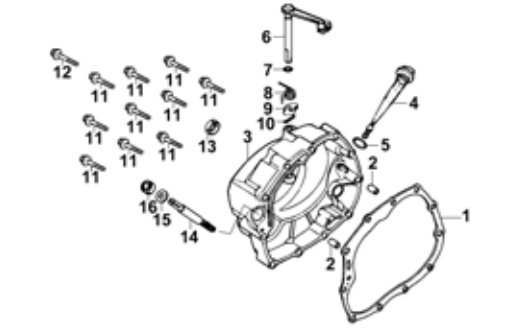
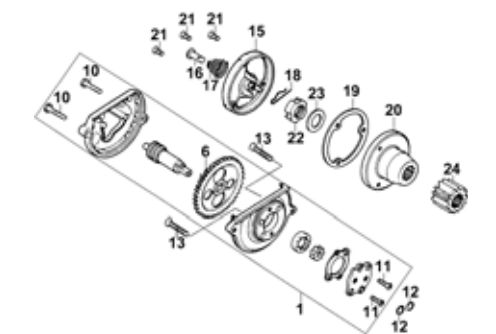
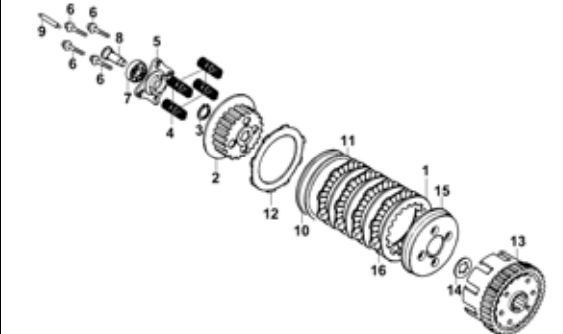
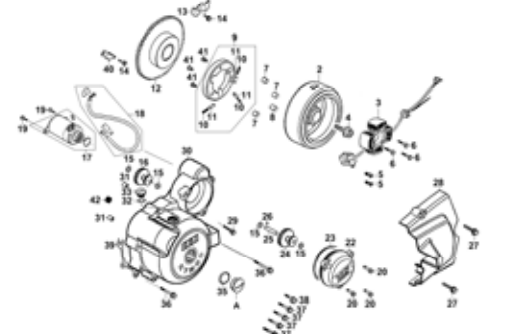
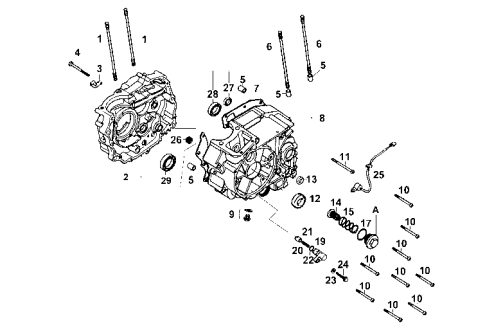
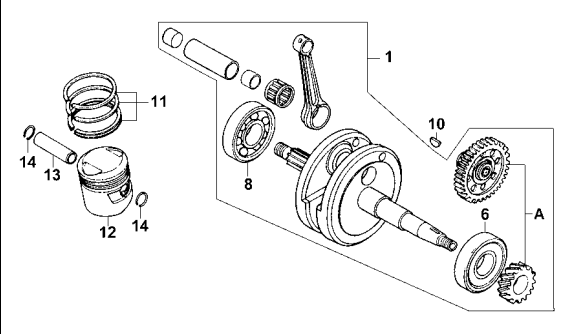
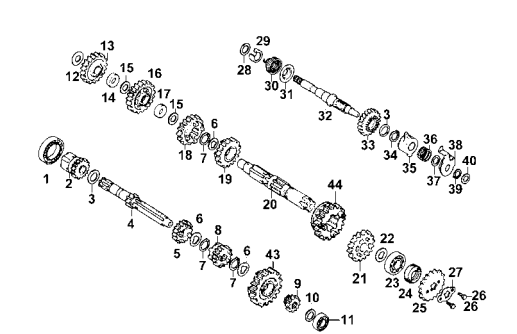
目 次

●前言	1
●RA25EA(TK)配色表	5
●引擎分組圖	6
●車架分組圖	8
●引擎零件號碼表	11
●車架零件號碼表	49
●零件號碼索引	113

CONTENTS

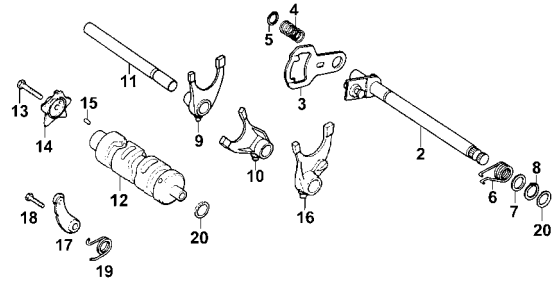
●ABOUT THIS PARTS LIST	1
●COLOR CHART OF RA25EA(TK)	5
●CONTENTS-ENGINE GROUP	6
●CONTENTS-FRAME GROUP	8
●ENGINE PARTS LIST	11
●FRAME PARTS LIST	49
●PART NO. INDEX	113

CONTENTS-ENGINE GROUP

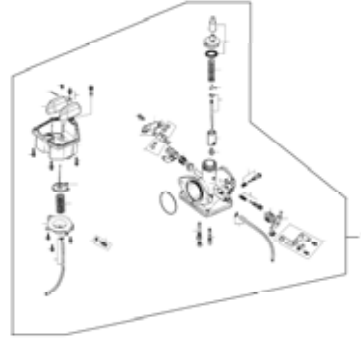
E1 Cylinder●Cylinder Head -13-	E2 Valve -17-	E3 Right Crankcase Cover -21-
		
E4 Oil Pump -23-	E5 Clutch -25-	E6 Generator● Starting Motor -27-
		
E7 Crankcase -33-	E8 Crankshaft●Piston -37-	E9 Transmission● Kick Starter -39-
		

CONTENTS-ENGINE GROUP

**E10 Gearshift Drum●
Gearshift Spindle** -45-

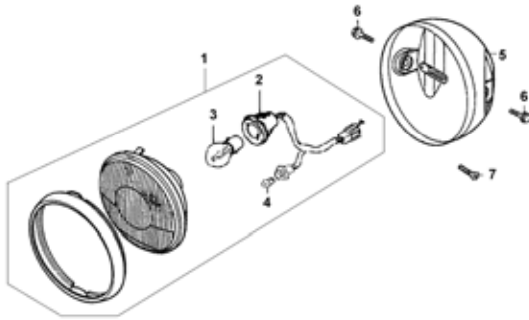


E11 Carburetor -47-

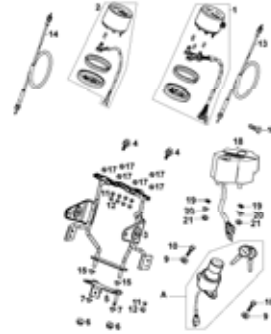


CONTENTS-FRAME GROUP

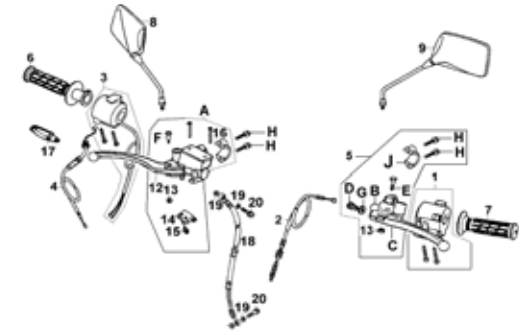
F1 Head Light -51-



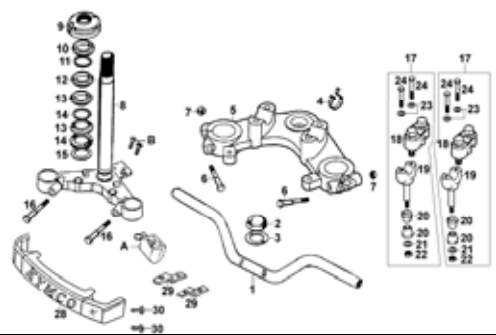
F2 Speedometer -53-



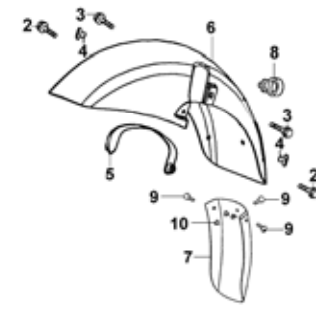
F3 Cable●Switch●Handle Lever -57-



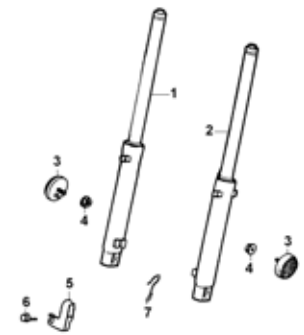
F4 Steering Handle -61-



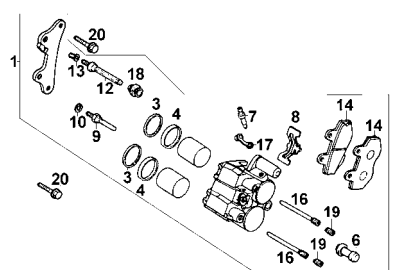
F5 Front Fender -65-



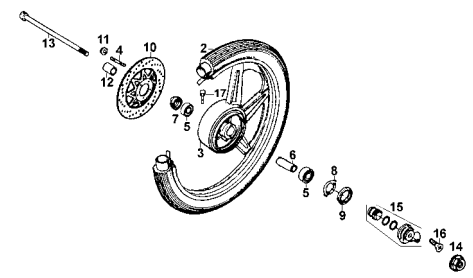
F6 Front Fork -67-



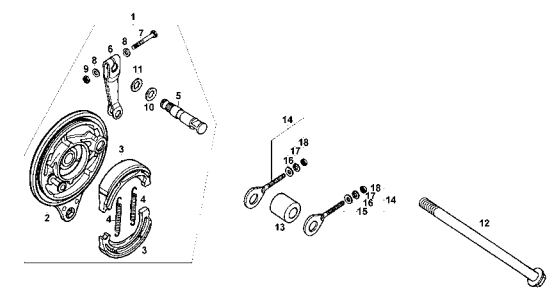
F7 Front Caliper -69-



F8 Front Wheel -71-



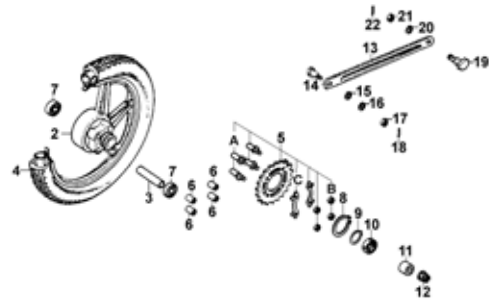
F9 Rear Brake Panel -73-



CONTENTS-FRAME GROUP

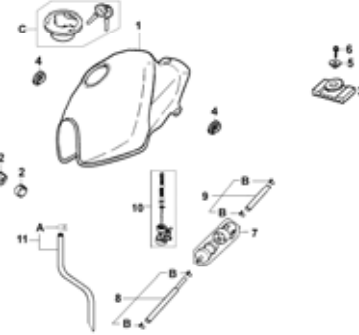
F10 Rear Wheel

-75-



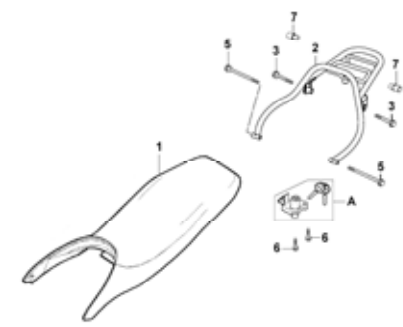
F11 Fuel Tank

-79-



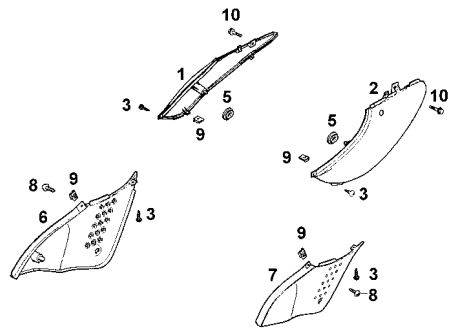
F12 Seat

-81-



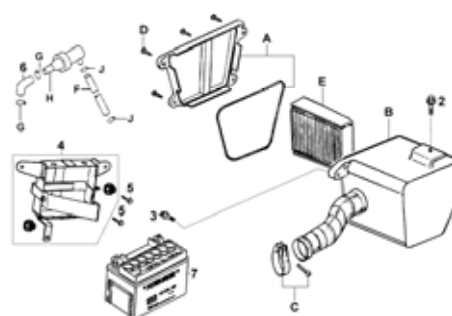
F13 Side Cover

-83-



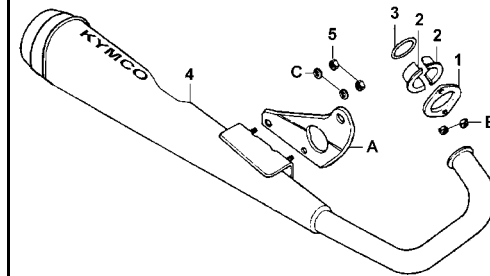
F14 Air Cleaner

-85-



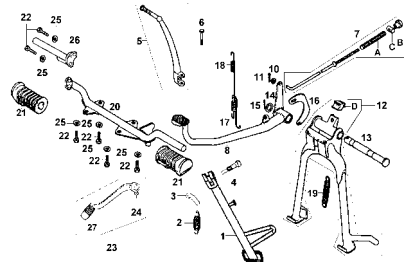
F15 Exhaust Muffler

-87-



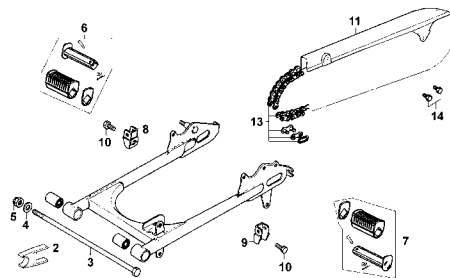
F16 Pedal

-89-



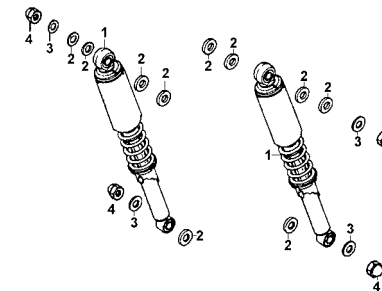
F17 Rear Fork●Chain Case

-93-



F18 Rear Cushion

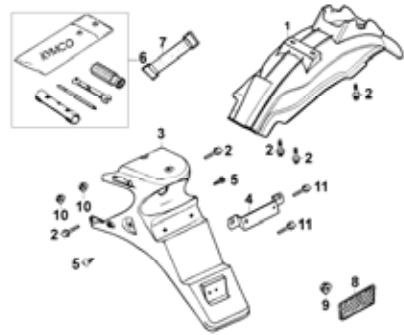
-95-



CONTENTS-FRAME GROUP

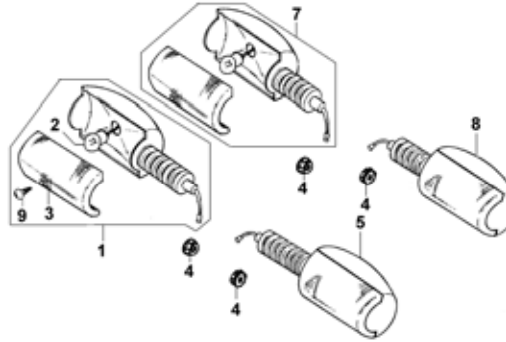
F19 Rear Fender

-97-



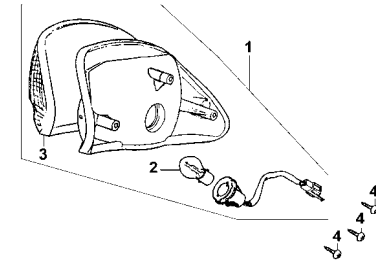
F20 Winker

-99-



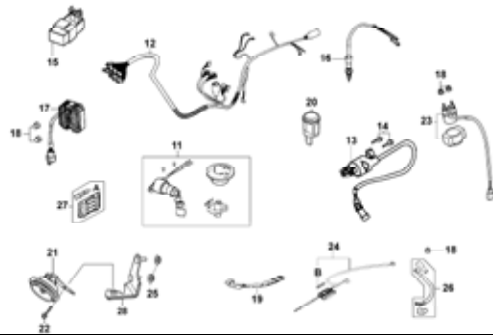
F21 Tail Light

-101-



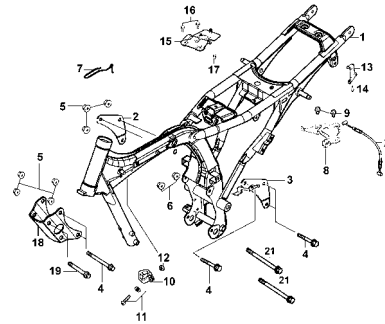
F22 Wire Harness

-103-



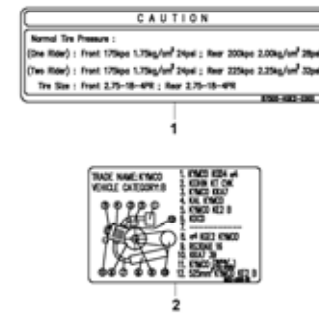
F23 Frame Body

-105-



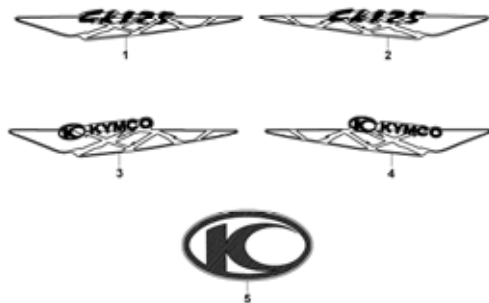
F24 Label

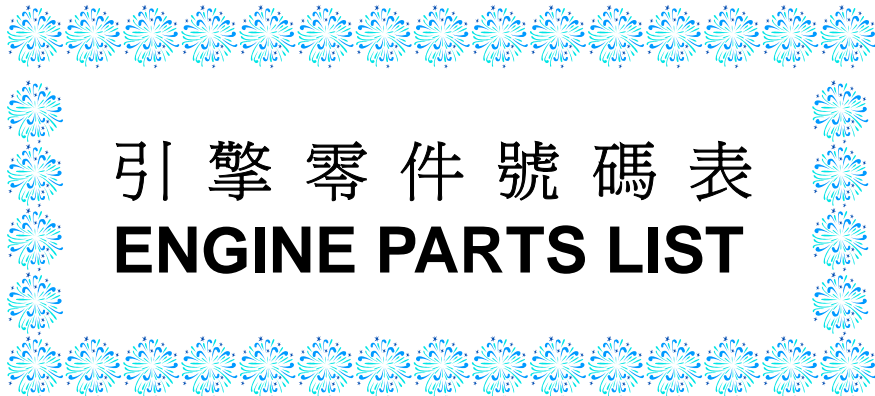
-109-



F25 Emblem●Stripe

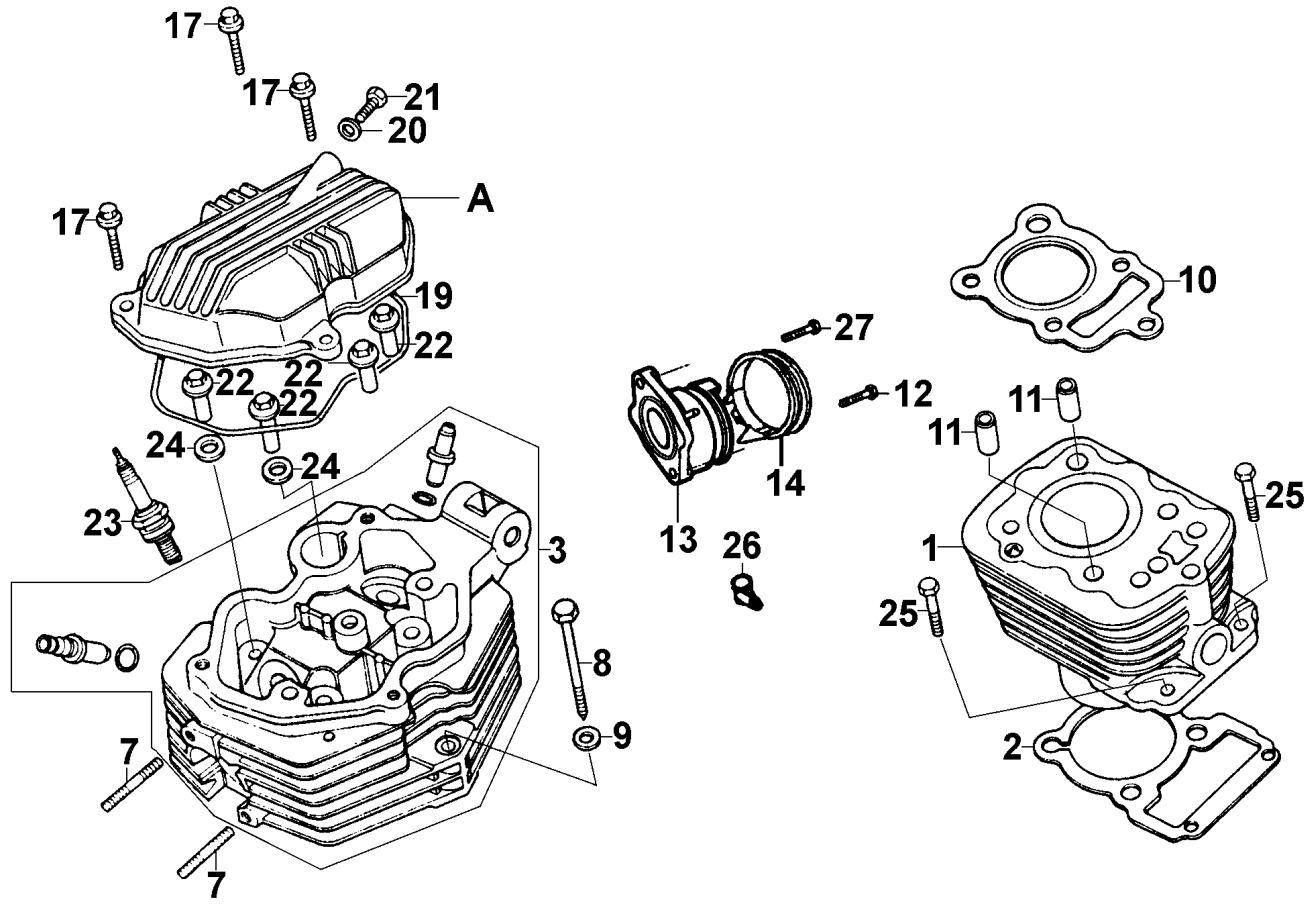
-111-





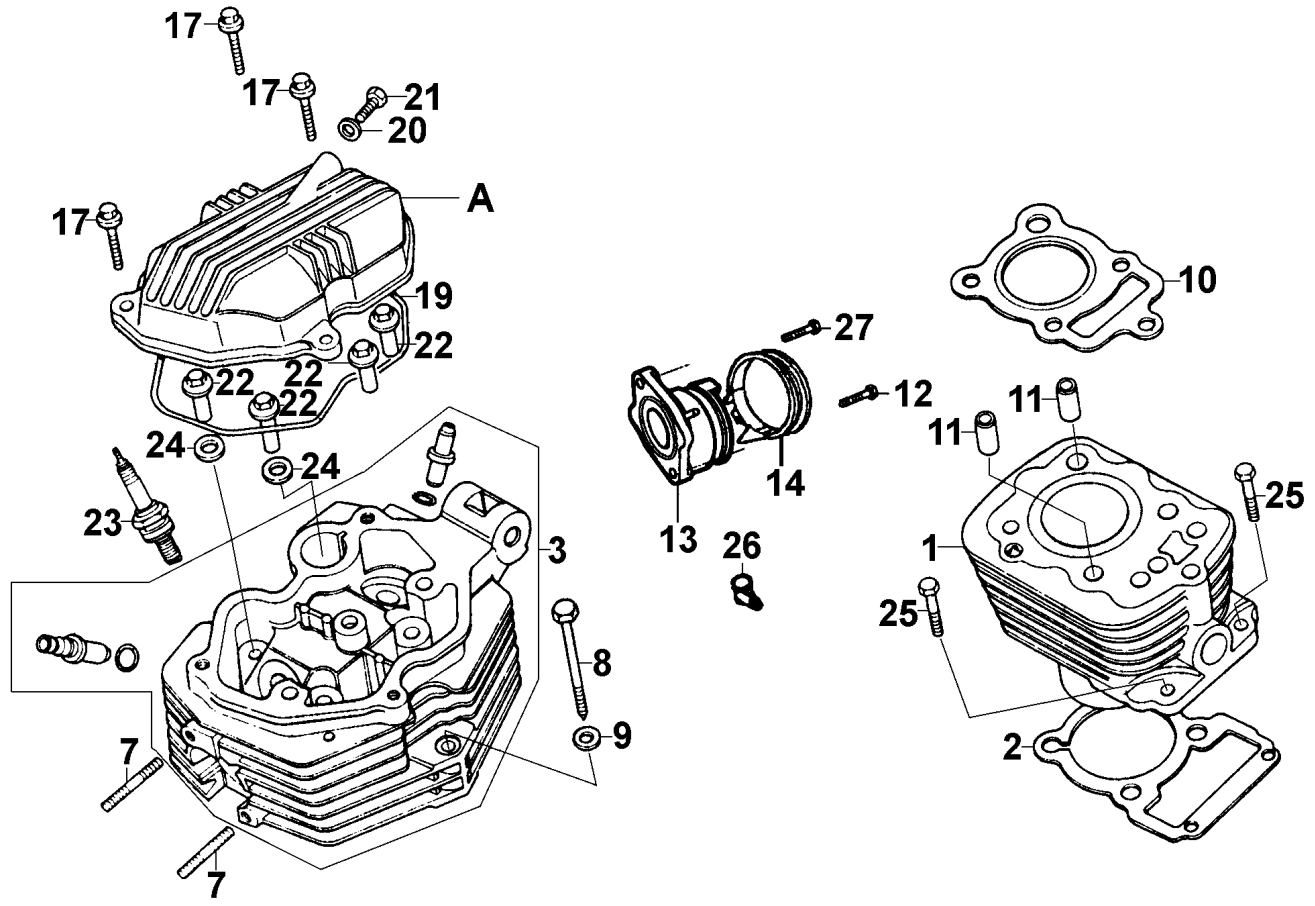
引擎零件號碼表
ENGINE PARTS LIST

E 1 Cylinder ● Cylinder Head



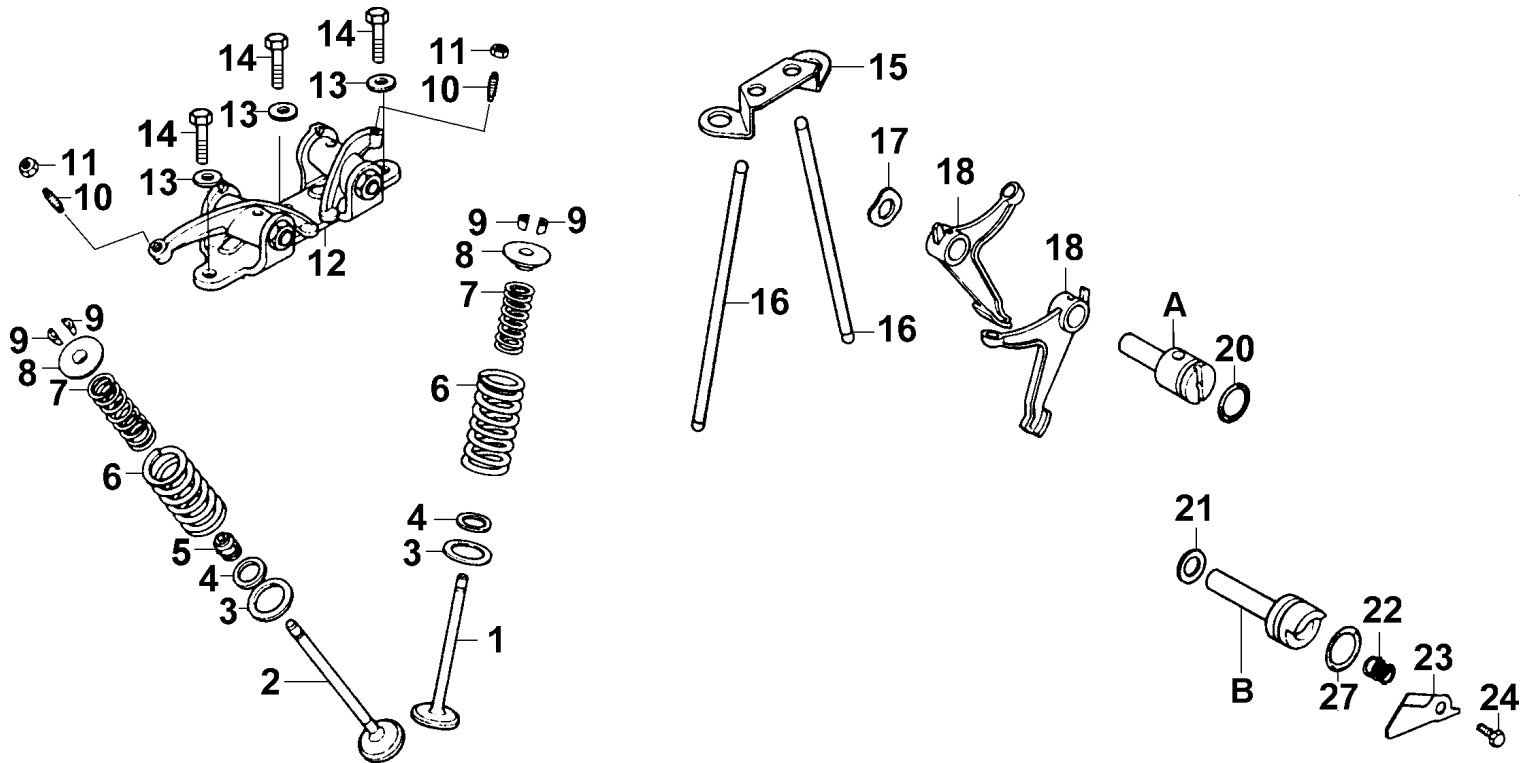
Sales mark	Ref no	Part no	Ver	Description	Chinese	Reqd. no
	1	12100-KAL-9000	8	CYLINDER COMP		1
	2	12191-397-0010	0	GASKET CYLINDER		1
	3	12200-KE2-982	7	HEAD COMP CYLINDER		1
	7	92700-06035-3E	0	BOLT STUD 6X35		2
	8	90126-397-0010	0	BOLT HEX 8X79		1
	9	90442-028-0010	0	WASHER SEALING 8M/M		1
	10	12251-KAL-9000-M1	0	GASKET CYLINDER HEAD		1
	11	94301-10200	0	DOWEL PIN 10X20		2
	12	96001-06018-08	0	BOLT FLANGE 6X18		1
	13	1621A-KGE2-E000-FR	0	INSULATOR CARBURETOR ASSY		1
	14	17256-KKC5-E000	0	BAND INSULATOR		1
	17	95701-06028-08	0	BOLT FLANGE 6X28		3
	19	12391-397-0100	2	PACKING CYLINDER HEAD		1
	20	90441-028-0110	0	6MM SEALING WASHER		1
	21	92000-06012-0H	0	BOLT HEX 6X12		1
	22	90306-397-0010	0	NUT CYLINDER HEAD		4
	23	98069-5771R	0	SPARK PLUG (DR-8EA)		1
	24	94102-12800	0	WASHER PLAIN 12MM		2
	25	92000-06022-0G	0	BOLT HEX 6X22		2
	26	32906-107-0010	0	CLIP HIGHTEN SION CORD		1

E 1 Cylinder ● Cylinder Head



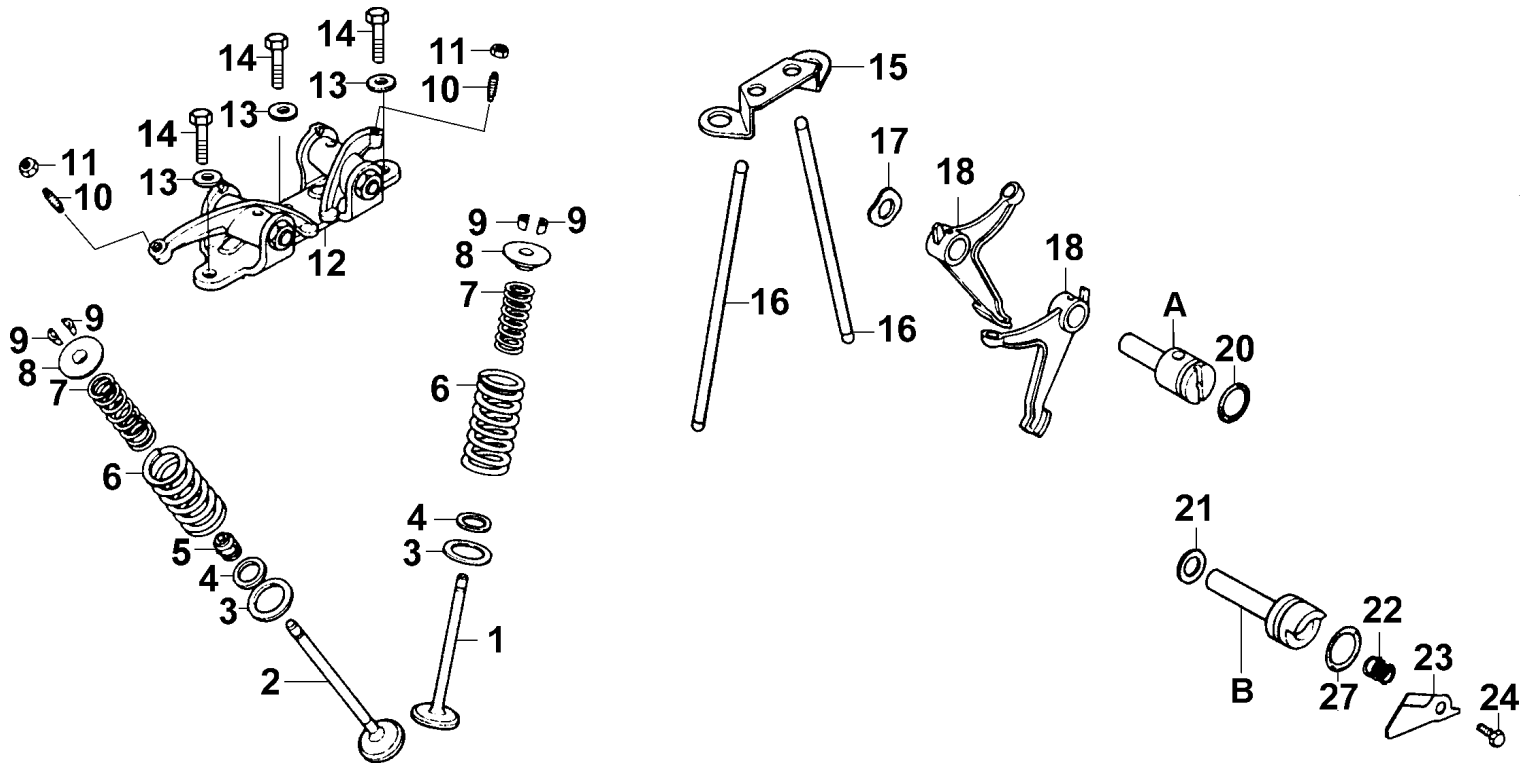
Sales mark	Ref no	Part no	Ver	Description	Chinese	Reqd. no
27		95701-KLL-E000-BL	0	BOLT TORQUE 6X16		1
A		12311-KG7-0010	3	COVER CYLINDER HEAD		1

E 2 Valve



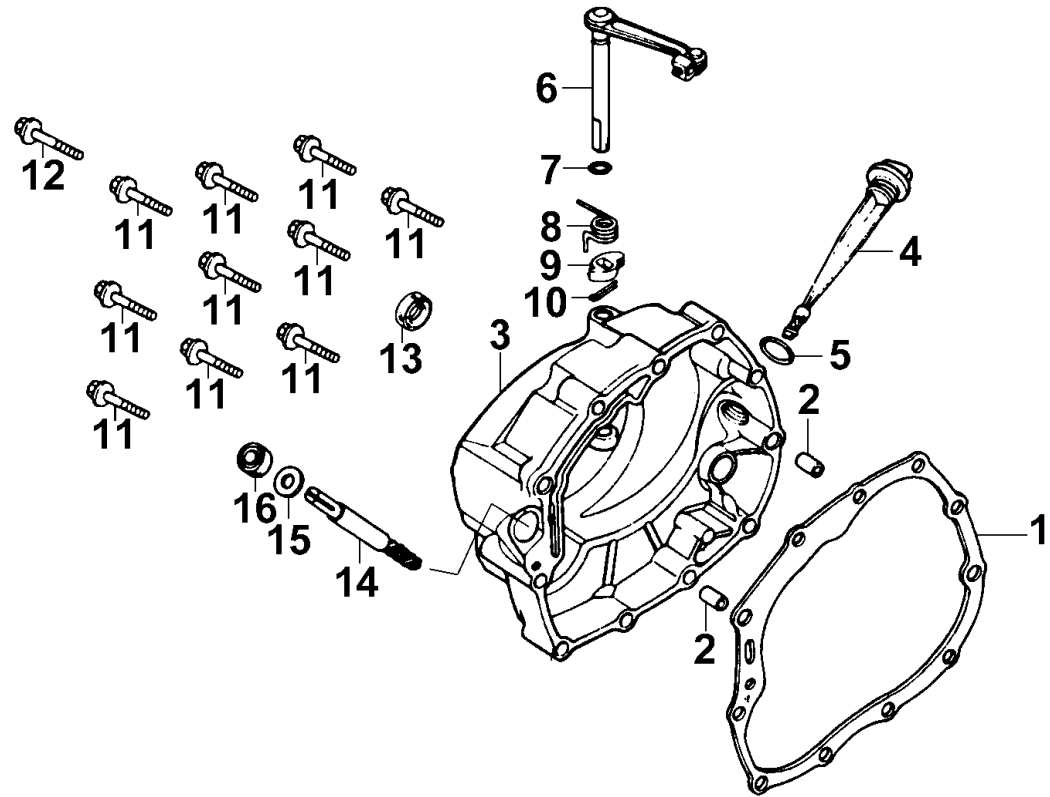
Sales mark	Ref no	Part no	Ver	Description	Chinese	Reqd. no
	1	14711-383-0000	0	VALVE INLET		1
	2	14721-383-0000	0	VALVE EXHAUST		1
	3	14775-107-0000	1	SEAT VALVE SPRING OUTER		2
	4	14776-107-0100	1	SEAT VALVE SPRING INNER		2
	5	12208-413-0040	0	SEAL VALVE STEM		1
	6	14751-324-0000	0	SPRING VALVE OUTER		2
	7	14761-324-0000	0	SPRING VALVE INNER		2
	8	14771-107-0210	0	RETAINER VALVE SPRING		2
	9	14781-107-021	2	COTTER VALVE		4
	10	90012-415-0010	0	SCREW TAPPET ADJUSTING		2
	11	90206-250-0010	0	NUT TAPPET ADJUSTING		2
	12	14400-397-0210	3	HOLDER COMP RKR		1
	13	90442-028-0010	0	WASHER SEALING 8M/M		3
	14	90126-292-0010	0	BOLT FRONT BRAKE STOPER ARM		3
	15	12215-397-0210	0	GUIDE PUSH ROD		1
	16	14440-397-0000	2	PUSH ROD		2
	17	90444-397-0010	0	WASHER WAVE 12MM		1
	18	14421-397-0000	5	FOLLOWER CAM		2
	20	91333-567-0200	0	O-RING 17X2.5		1
	21	90428-958-0010	0	WASHER THRUST 14MM		1

E 2 Valve



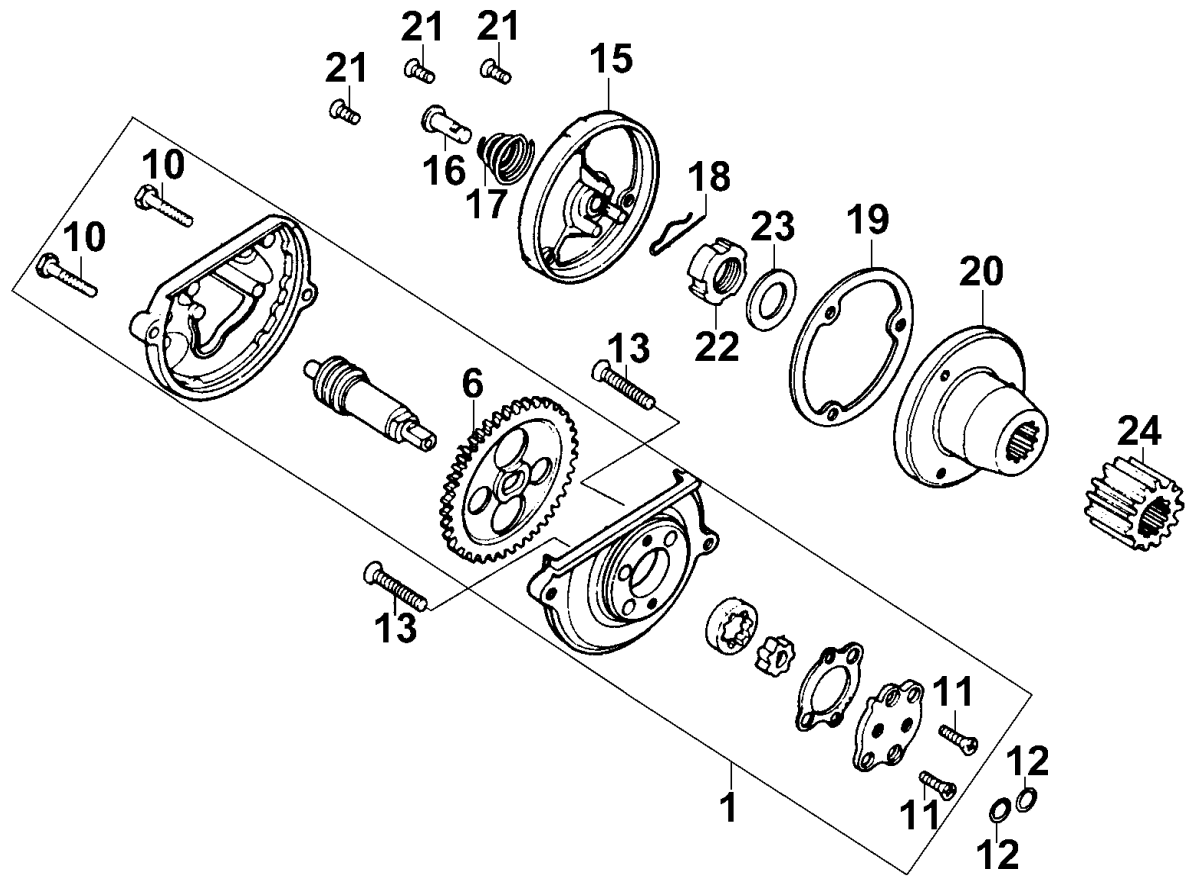
Sales mark	Ref no	Part no	Ver	Description	Chinese	Reqd. no
	22	14425-KG7-0000-M1	0	SPG CAM SHAFT		1
	23	14426-KE2-9800	0	PLATE SPG STOPPER		1
	24	96001-06012-08	0	BOLT FLANGE SH 6X12		1
	27	91318-590-0010	0	O-RING 2.5X20		1
A		14422-KAG-9000	2	SHAFT CAM FOLLOWER		1
B		14423-KE2-9810	1	SHAFT CAM GEAR		1

E 3 Right Crankcase Cover



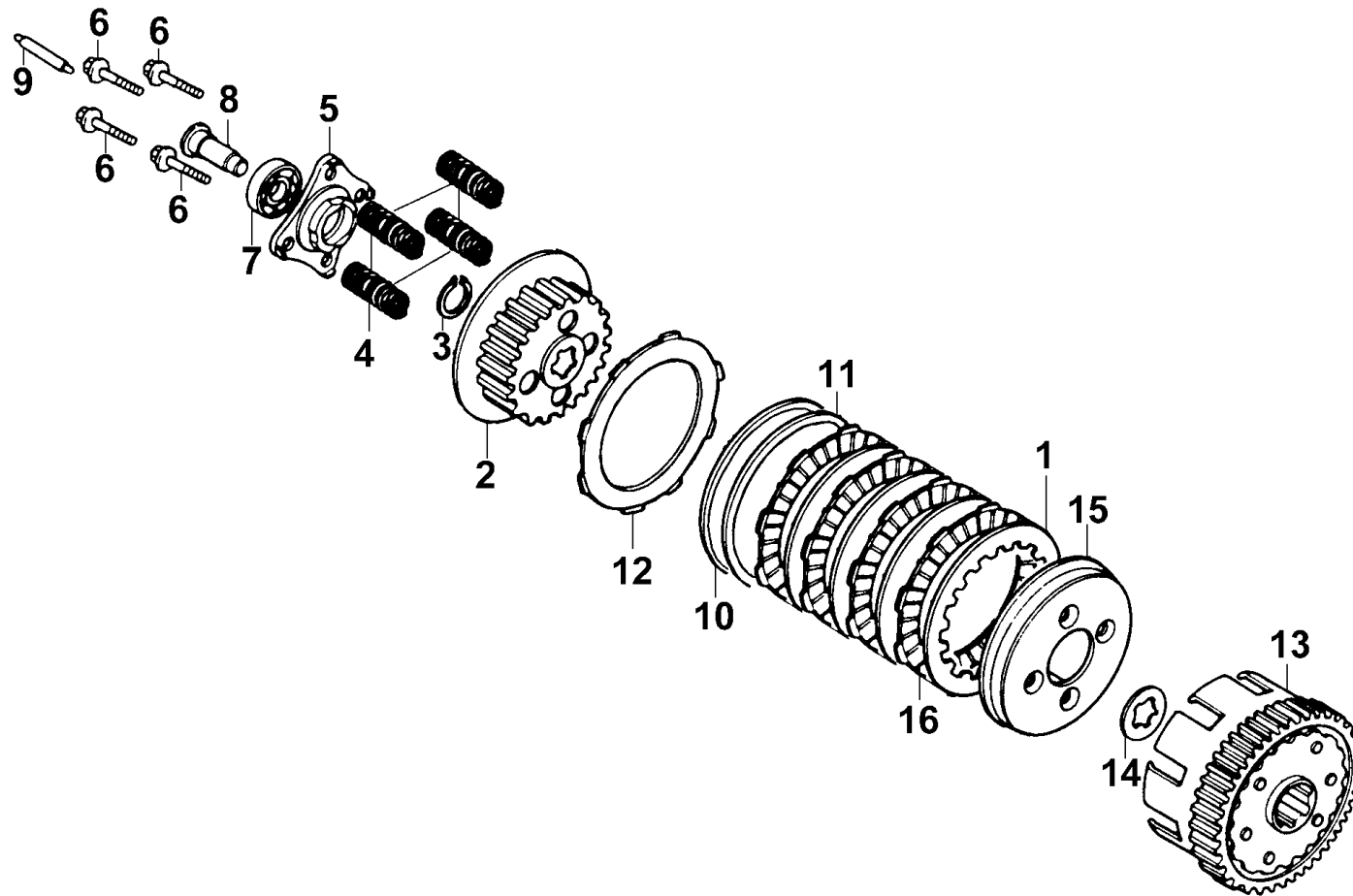
Sales mark	Ref no	Part no	Ver	Description	Chinese	Reqd. no
	1	11393-107-0210	0	GASKET RIGHT CRANK CASE COVER		1
	2	94301-08140	0	DOWEL PIN 8X14		2
	3	11330-KE2-C500-KN	1	COVER COMP R CRANK CASE		1
	4	15650-383-0010	0	GAUGE OIL LEVEL		1
	5	91307-035-0010	0	O RING 18X3		1
	6	22810-365-0010	0	LEVER COMP CLUTCH		1
	7	91301-KE2-710	0	O-RING 6.8X1.9		1
	8	22816-355-0000	1	SPRING CLUTCH LEVER		1
	9	22821-355-0010	0	CAM CLUTCH LIFTER		1
	10	94201-20151	0	PIN SPLIT 2X15		1
	11	96001-06040-08	0	BOLT FLANGE SH 6X40		10
	12	96001-06050-08	0	BOLT FLANGE SH 6X50		1
	13	91204-259-0060	0	OIL SEAL 16X28X7		1
	14	12431-324-0300	0	GEAR TACHO METER		1
	15	90458-324-0110	0	THRUST WASHER 6.7MM		1
	16	91201-324-0240	0	OIL SEAL 6.5X14.5X7		1

E 4 Oil Pump



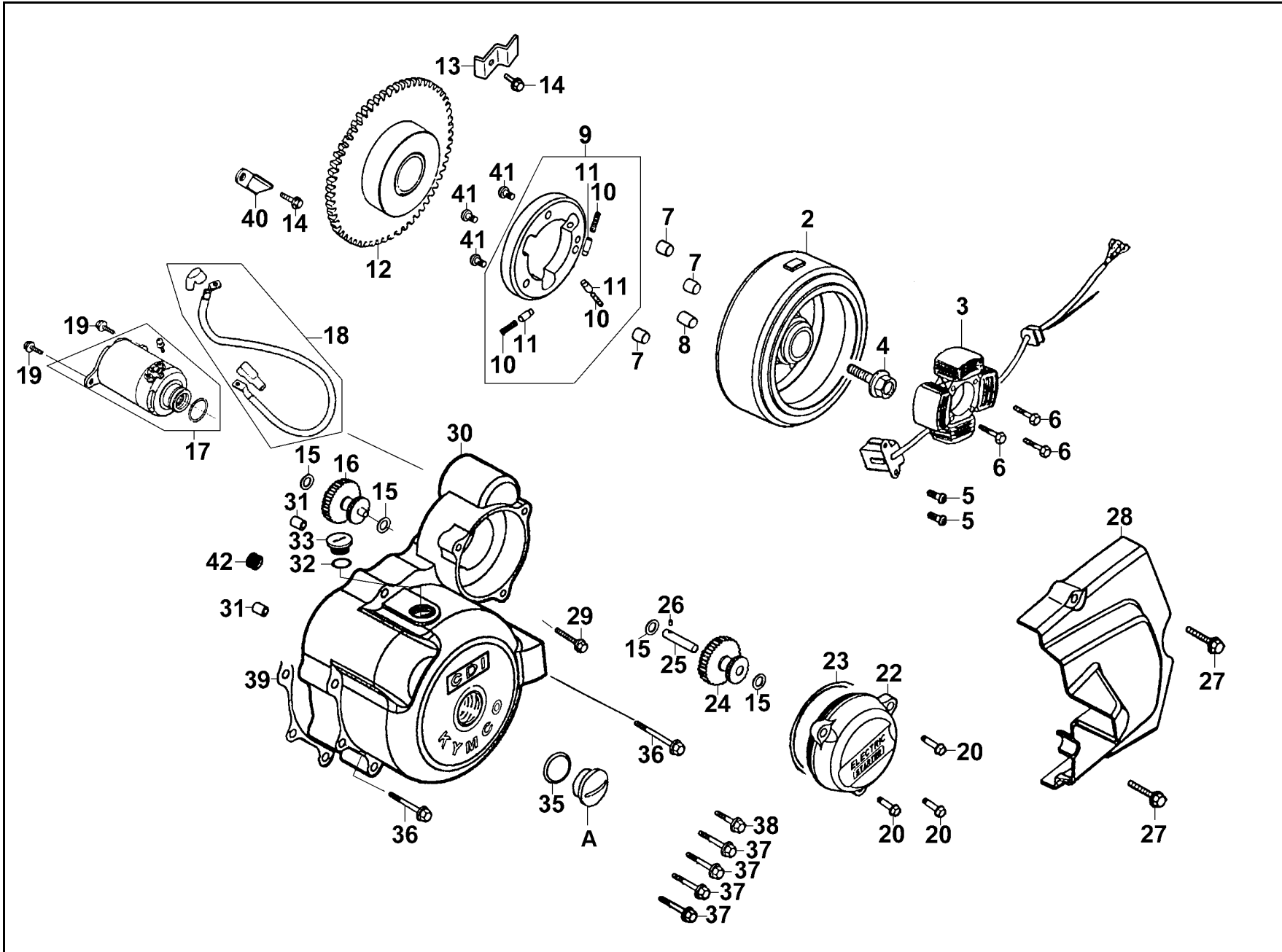
Sales mark	Ref no	Part no	Ver	Description	Chinese	Reqd. no
	1	15100-3E65-0010	0	OIL PUMP ASSY		1
	6	15131-324-0110	1	GEAR OIL PUMP DRIVE		1
	10	92000-05020-0H	0	BOLT HEX 5X20		2
	11	93600-04012-1A	0	SCREW FLAT 4X12		2
	12	91304-107-0010	0	O-RING 9.4X2.4		2
	13	90101-440-0010	0	SCREW FLAT 6X30		2
	15	15436-107-0000	1	CAP OIL FILTER ROTOR		1
	16	15441-107-0000	0	OIL THROUGH		1
	17	15446-107-0000	0	SPRING OIL THROUGH		1
	18	94251-08800	0	PIN LOCK 8MM		1
	19	15459-107-0010	0	GASKET OIL FILTER ROTOR CAP		1
	20	15430-440-0300	0	ROTER COMP OIL FILTER		1
	21	93700-05012-0H	0	SCREW OVAL 5X12		3
	22	90231-200-0110	1	NUT LOCK 16MM		1
	23	15451-107-0010	0	WASHER LOCK OIL FILTER ROTOR		1
	24	23121-383-0010	0	GEAR PRIMARY DRIVE		1

E 5 Clutch



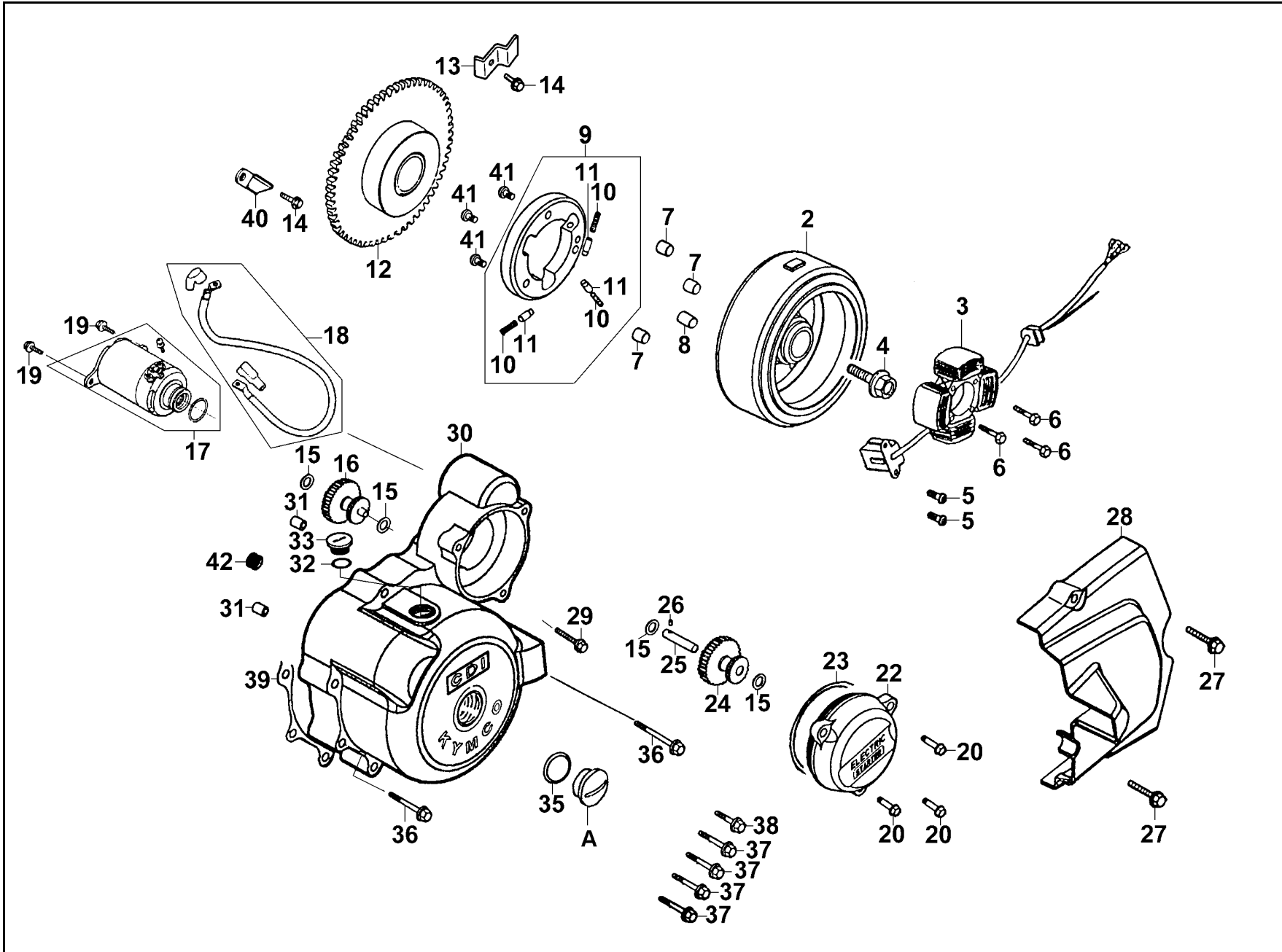
Sales mark	Ref no	Part no	Ver	Description	Chinese	Reqd. no
	1	22311-107-0010	0	PLATE CLUTCH		4
	2	22121-107-0110	2	CENTER CLUTCH		1
	3	94510-20000	0	CIR CLIP EX 20		1
	4	95014-75110-M1	0	SPRING CLUTCH		4
	5	22361-107-0010	0	PLATE CLUTCH LIFTER		1
	6	95701-06022-08	0	BOLT FLANGE 6X22 ©		4
	7	96100-60010-00	0	BEARING BALL RADIAL 6001		1
	8	22366-383-0010	0	GUIDE PIN CLUTCH LIFTER		1
	9	22850-355-0010	0	ROD CLUTCH LIFTER		1
	10	22402-KAK-9000	1	SPR ADJUSTER		1
	11	22125-KAK-9000	1	SEAT ADJUSTER SPG		1
	12	22202-KAK-9000	0	DISK CLUTCH FRICTION		1
	13	22100-324-0010	3	OUTER COMP CLUTCH		1
	14	90461-107-0010	0	WASHER SPLINE 20MM		1
	15	22350-107-0120	4	PLATE CLUTCH PRESSURE		1
	16	22201-KAK-9000	0	DISK CLUTCH FRICTION		4

E 6 Generator ● Starting Motor



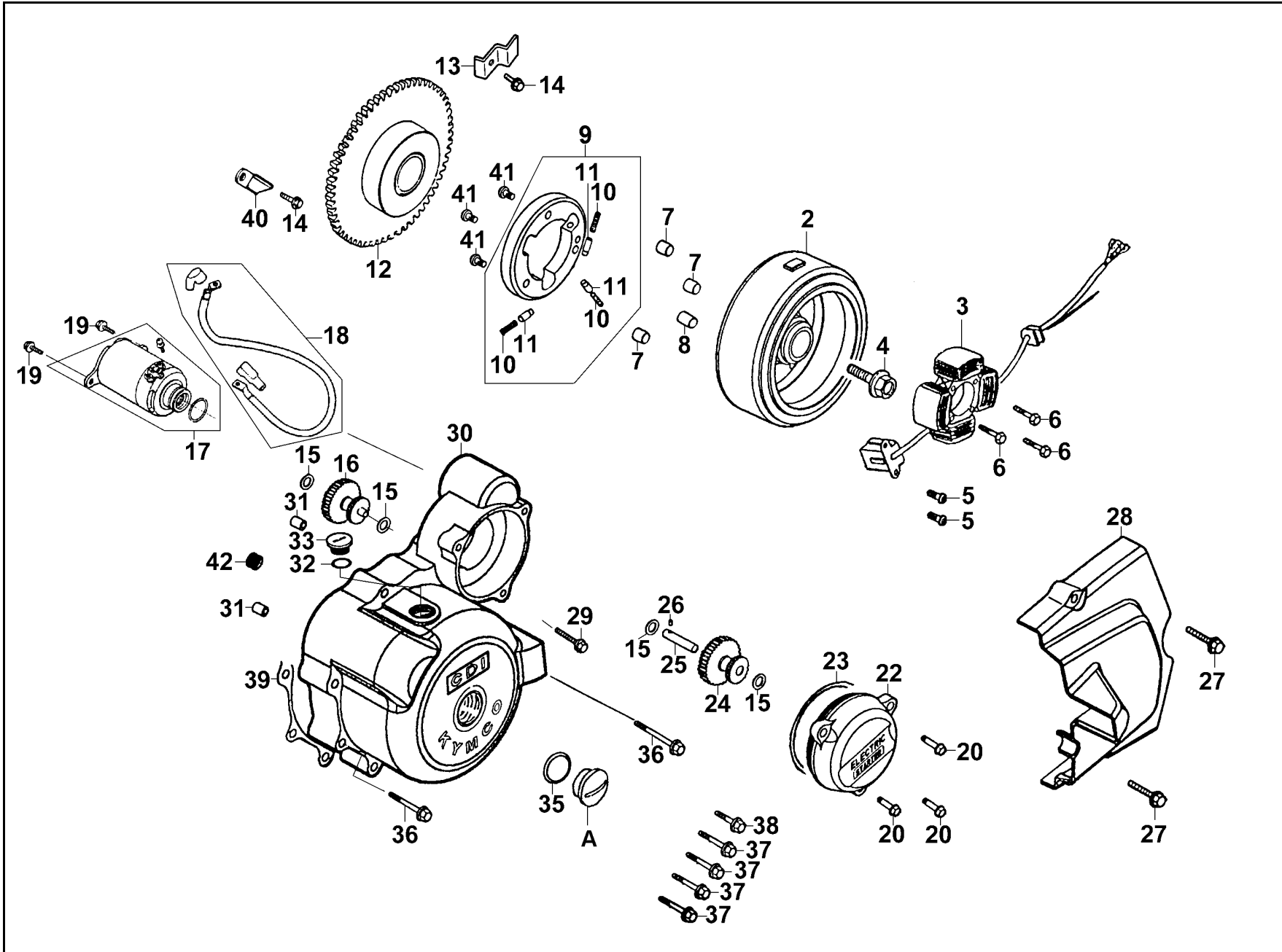
Sales mark	Ref no	Part no	Ver	Description	Chinese	Reqd. no
	2	31110-KE2-9600	1	FLYWHEEL COMP		1
	2	31110-KE2-9600-M2	1	FLYWHEEL COMP		1
	3	31120-KE2-C100-M1	0	STATOR COMP		1
	3	31120-KE2-C100-M2	0	STATOR COMP		1
	4	90023-KG7-0010	0	BOLT ROTOR SETTING		1
	5	93500-05016-0H	0	SCREW PAN 5X16		2
	6	92201-05025-0H	0	BOLT HEX 5X25		3
	7	91101-179-7110-M1	0	ROLLER 10X10		3
	8	90701-GY6-960	0	PIN DOWEL 6X10		1
	9	28120-KE2-8210-RP1	0	OUTER COMP STARTING CLUTCH		1
	10	28125-426-0010	0	SPRING ROLLER STARTER CLUTCH		3
	11	28126-323-9000	0	CAP STARTING ROLLER SPRING		3
	12	28110-KE2-970	2	GEAR COMP STARTING DRIVEN		1
	13	28117-KE2-9810	0	PLATE SET GEAR		1
	14	96001-06012-08	0	BOLT FLANGE SH 6X12		2
	15	90474-147-0010	0	WASHER 10.5MM		4
	16	31241-KE2-9810	1	SHAFT STARTER GEAR		1
	17	31200-KE2-9810	0	MOTOR ASSY STARTER		1
	18	32410-KG7-0010	0	CABLE START MOTOR		1
	19	95701-06028-08	0	BOLT FLANGE 6X28		2

E 6 Generator ● Starting Motor



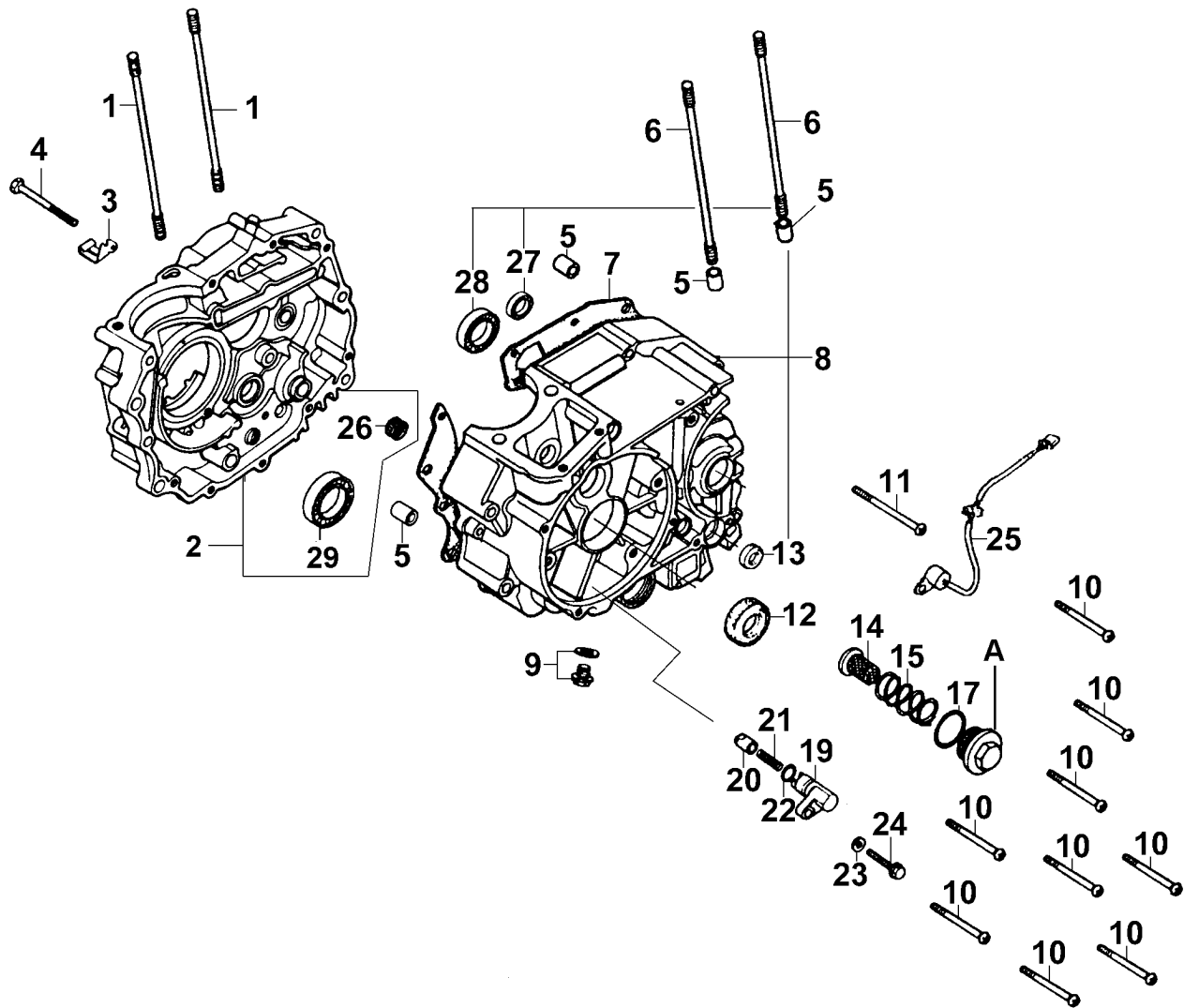
Sales mark	Ref no	Part no	Ver	Description	Chinese	Reqd. no
	20	96001-06020-08	0	BOLT FLANGE SH 6X20		3
	22	11355-KG7-0010	0	COVER REDUCTION GEAR		1
	23	91359-371-0040	0	O-RING 63X3.0		1
	24	28130-KE2-9810	0	GEAR COMP REDUCTION		1
	25	28132-KG7-0010	0	SHAFT REDUCTION GEAR		1
	26	30905-216-0010	0	KNOCK PIN 3X5.2		1
	27	96001-06028-08	0	BOLT FLANGE SH 6X28		2
	28	11361-KG7-C00	0	COVER LEFT REAR CRANK CASE		1
	29	96001-06025-08	0	BOLT FLANGE SH 6X25		1
	30	11341-KE2-981	8	COVER LEFT CRANK CASE		1
	31	94301-10140	0	DOWEL PIN 10X14		2
	32	91303-377-0010	0	O-RING 13.8X2.5		1
	33	90084-KG7-C00	0	CAP ACG		1
	35	91302-567-0040	0	O-RING 27.4X2.4		1
	36	96001-06050-08	0	BOLT FLANGE SH 6X50		2
	37	96001-06040-08	0	BOLT FLANGE SH 6X40		4
	38	96001-06025-08	0	BOLT FLANGE SH 6X25		1
	39	11395-KG7-0010	1	GASKET LEFT CRANK CASE		1
	40	32976-107-0010	0	CLAMPER WIRE HARNESS		1
	41	96600-08015-10	1	SOCKET BOLT 8X18		3

E 6 Generator • Starting Motor



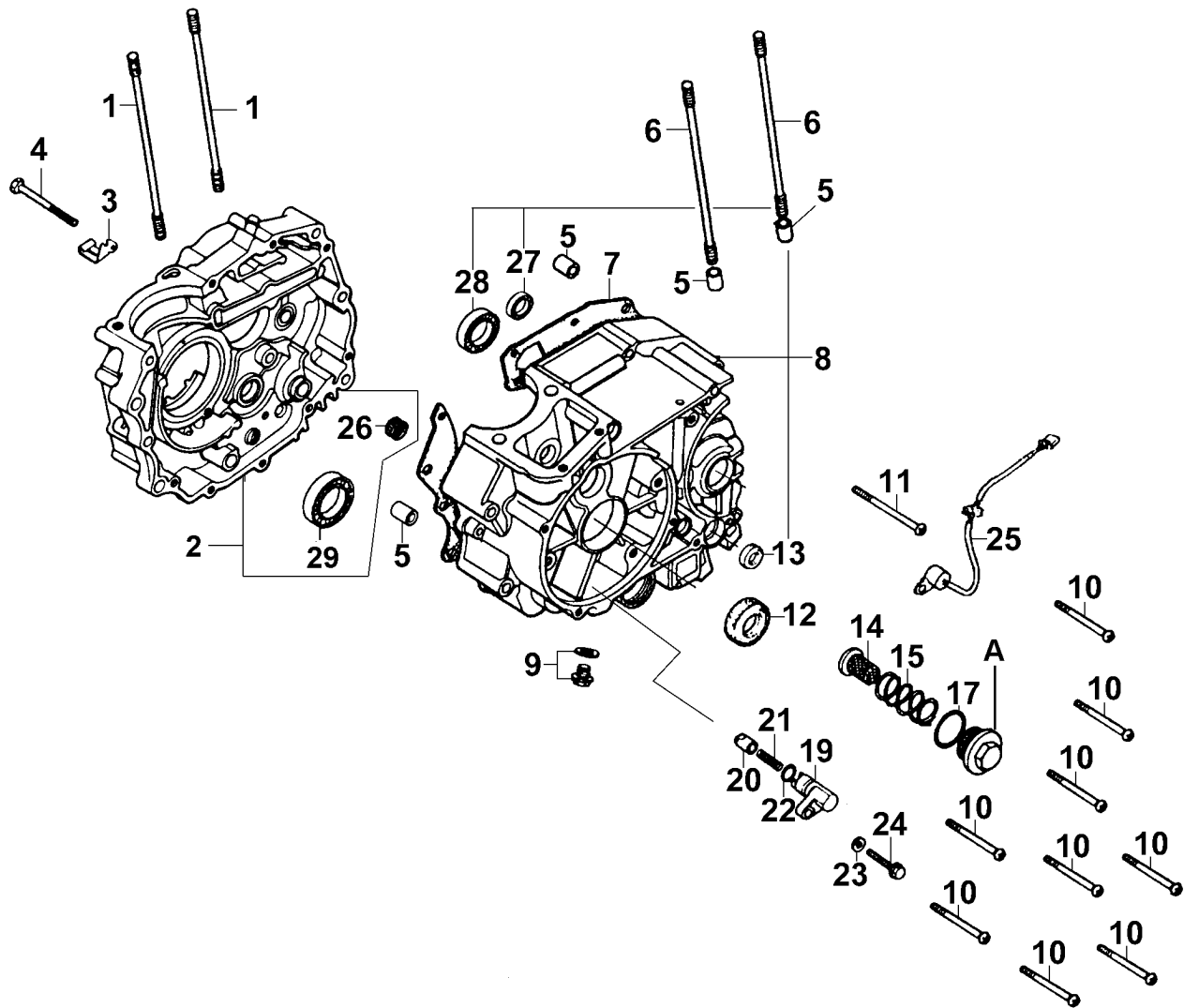
Sales mark	Ref no	Part no	Ver	Description	Chinese	Reqd. no
	42	91021-148-0050	0	BEARING NEEDLE 10X10		1
**	A	90087-428-C00	0	CAP ASSY 30MM		1

E 7 Crankcase



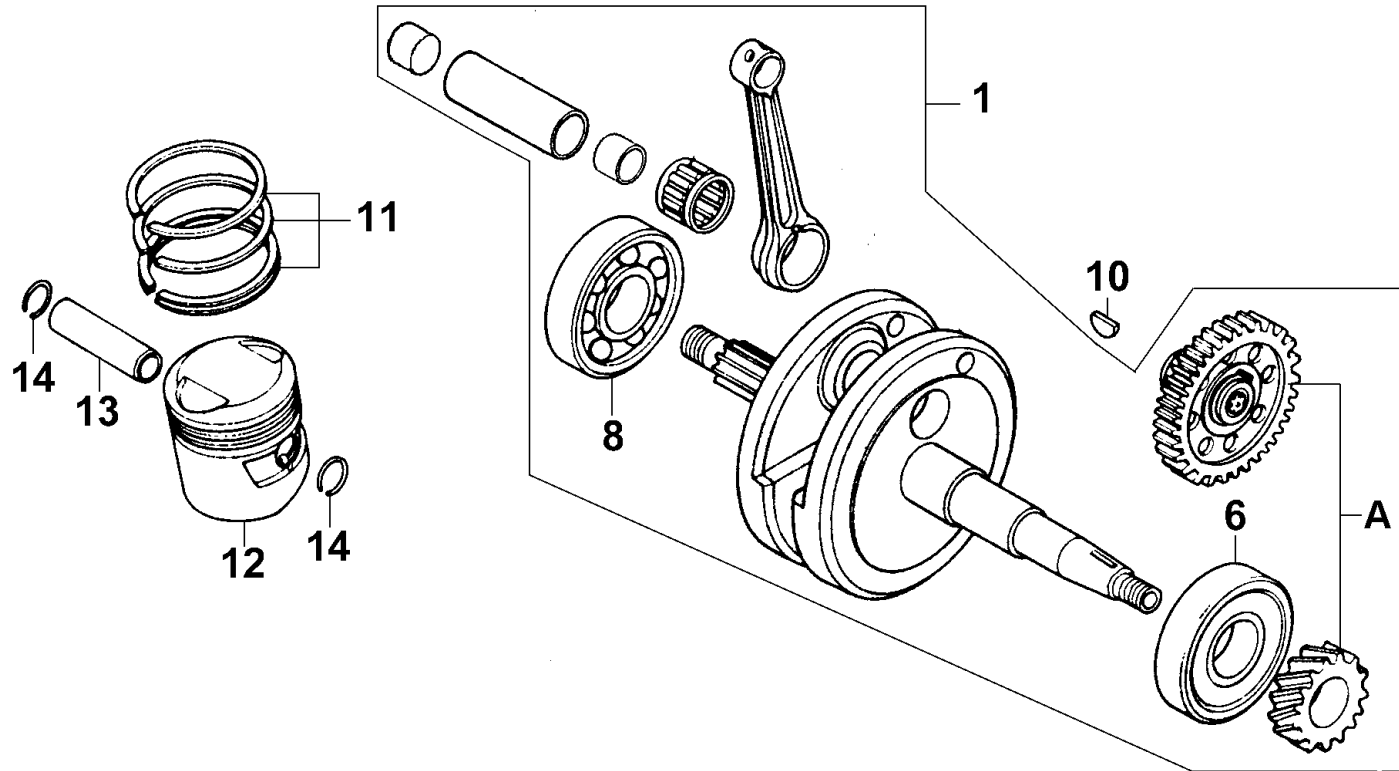
Sales mark	Ref no	Part no	Ver	Description	Chinese	Reqd. no
	1	90032-377-0110	1	STUD B CYLINDER 8X122		2
	2	1110A-KG7-9010	1	CRANK CASE ASSY RIGHT		1
	3	22838-355-0010	0	HOLDER CLUTCH WIRE		1
	4	90081-355-0010	0	BOLT HS 6X55		1
	5	94301-10140	0	DOWEL PIN 10X14		4
	6	90034-397-0110	1	BOLT STUD CYLINDER B		2
	7	11191-KG7-0010	0	GASKET CRANK CASE		1
	8	1120A-KE2-981-NJA	1	CRANK CASE ASSY LEFT		1
	9	9052A-GY6-9500	0	BOLT ASSY DRAIN PLUG		1
	10	93500-06050-0A	0	SCREW PAN 6X50		9
	11	90001-397-0010	0	SCREW PAN 6X95		1
	12	91205-393-0040	0	OIL SEAL 34X50X7		1
	13	91206-286-0140	0	OIL SEAL 14X28X7		1
	14	15421-107-0000	1	SCREEN OIL FILTER		1
	15	15426-107-0000	0	SPRING OIL FILLER SCREEN		1
	17	91303-107-0000	1	O-RING 35X3.0		1
	19	14511-397-0000	3	HOLDER PUSH PLUG		1
	20	14521-397-0000	2	PLUG BRG PUSH		1
	21	14531-397-0000	0	SPRING BEARING PUSH		1
	22	91319-300-0010	1	O-RING 13X2.5		1

E 7 Crankcase



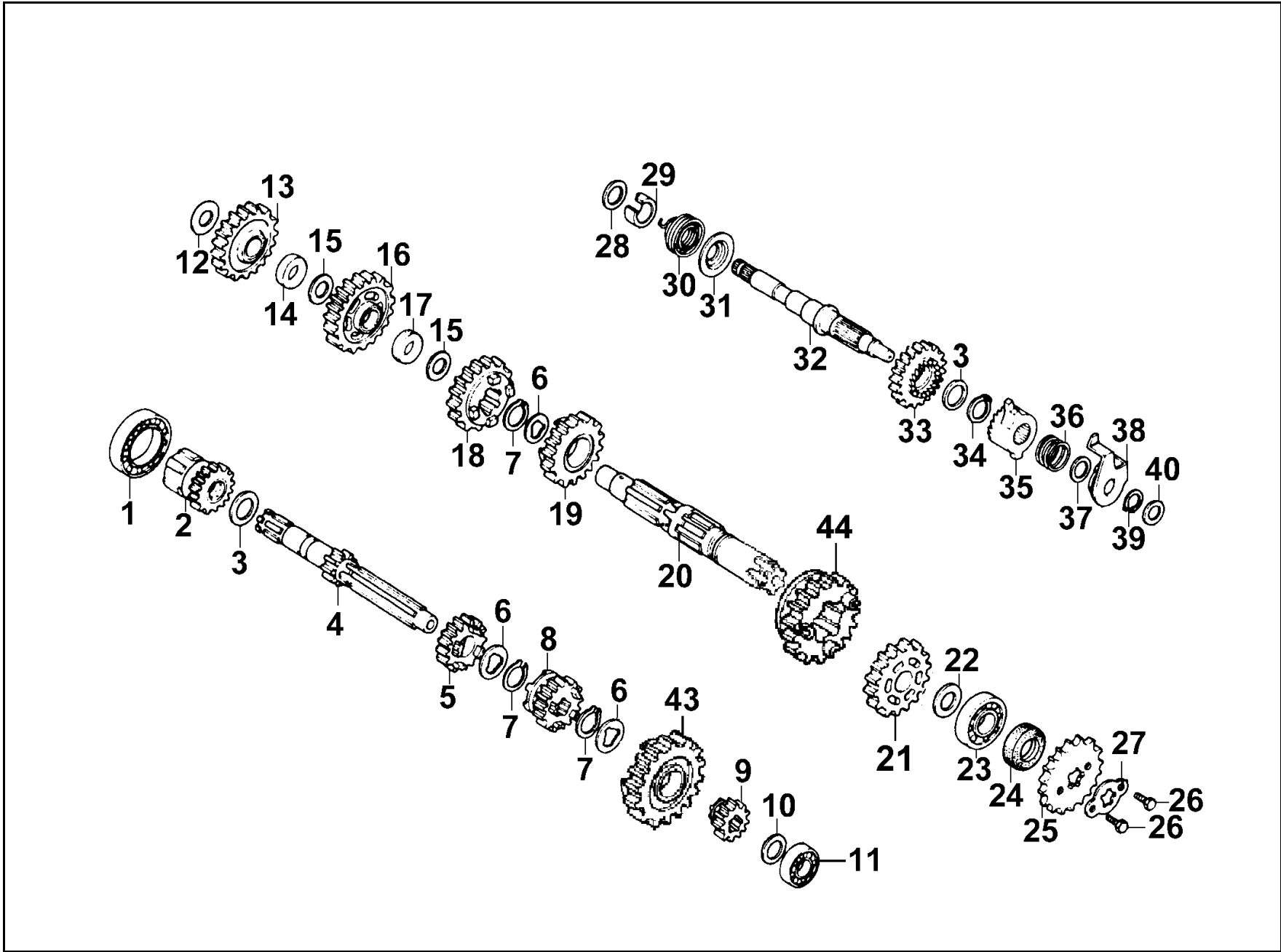
Sales mark	Ref no	Part no	Ver	Description	Chinese	Reqd. no
	23	90442-397-0010	0	WASHER SEALING 6MM		1
	24	95701-06025-08	0	BOLT FLANGE 6X25 ©		1
	25	35759-KHC6-C000-ZF	0	CONTACT & SPACER NEUTRAL		1
	26	91021-148-0050	0	BEARING NEEDLE 10X10		1
	27	96120-62020-00	0	BEARING BALL RADIAL 6202		1
	28	96100-62040-00	0	BEARING BALL RADIAL 6204		1
	29	96100-60060-00	0	BEARING BALL RADIAL 6006		1
	A	12361-107-0010	0	HOLDER CAP TAPPET ADJST		1

E 8 Crank Shaft ● Piston



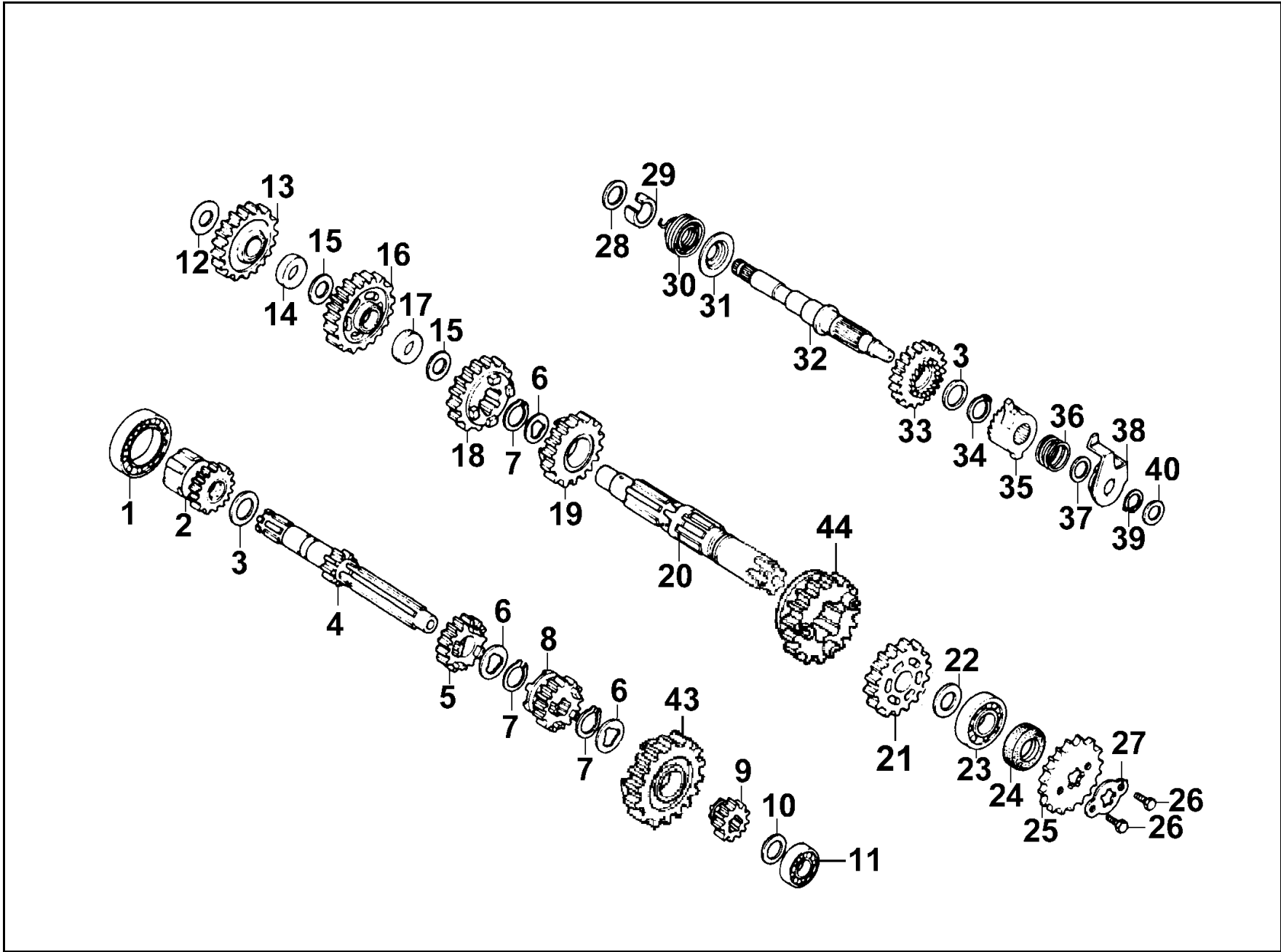
Sales mark	Ref no	Part no	Ver	Description	Chinese	Reqd. no
	1	13000-KG7-3050	0	CRANK SHAFT COMP		1
	6	91001-440-0040	0	BRG BALL RAD V2 6328J		1
	8	91002-KB5-00A	0	BRG BALL RADIAL 6328U		1
	10	94401-25140-M1	0	KEY WOODRUFF 25X14		1
	11	13011-383-6210-M2	0	RING SET PISTON		1
	12	13101-383-5000	0	PISTON		1
	13	13111-440-0010	0	PIN PISTON		1
	14	94601-15000-M1	0	CLIP PISTON PIN 15MM		2
	A	1410A-KE2-9000	0	CAM SHAFT COMP GEAR TIMING		1

E 9 Transmission ● Kick Starter



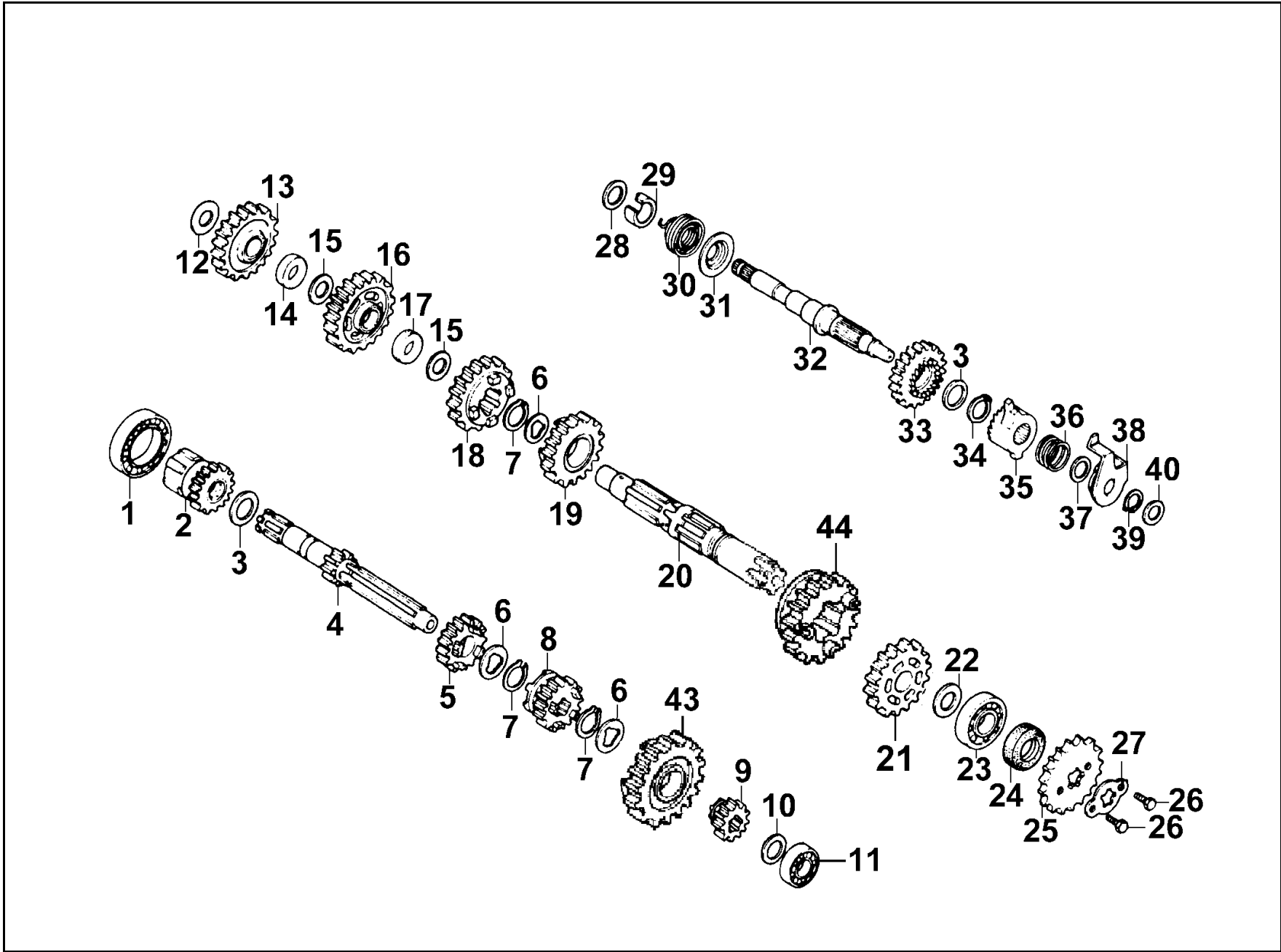
Sales mark	Ref no	Part no	Ver	Description	Chinese	Reqd. no
	1	96100-60060-00	0	BEARING BALL RADIAL 6006		1
	2	23520-383-0010	0	GEAR COMP STARTER		1
	3	90453-107-0020	0	WASHER THRUST 20M/M		2
	4	23211-383-0010	0	SHAFT MAIN TRANSMISSION		1
	5	23461-397-0110	1	GEAR M-3(22T)		1
	6	90455-107-0010	0	WASHER SPLINE 20M/M A		3
	7	90605-200-0010	0	SET RING 20MM		3
	8	23481-439-0010	1	GEAR M-4(23T)		1
	9	23441-439-0010	0	GEAR M-2(17T)		1
	10	90451-107-0000	1	WASHER THRUST 15M/M		1
	11	96120-62020-00	0	BEARING BALL RADIAL 6202		1
	12	90451-365-0010	0	WASHER THRUST 15M/M		1
	13	23531-439-0010	0	GEAR ONLY IDLE STARTER		1
	14	23431-439-0010	0	COLLAR IDLE STARTER GEAR		1
	15	90452-107-0010	0	WASHER THRUST 16.5M/M		2
	16	23426-439-3210	0	GEAR COUNTER SHAFT LOW		1
	17	23427-439-0010	0	COLLAR COUNTER SHAFT LOW GEAR		1
	18	23471-397-0110	1	GEAR C-3(28T)		1
	19	23491-439-0010	0	GEAR C-4(26T)		1
	20	23221-107-0210	1	SHAFT COUNTER TRANSMISSION		1

E 9 Transmission ● Kick Starter



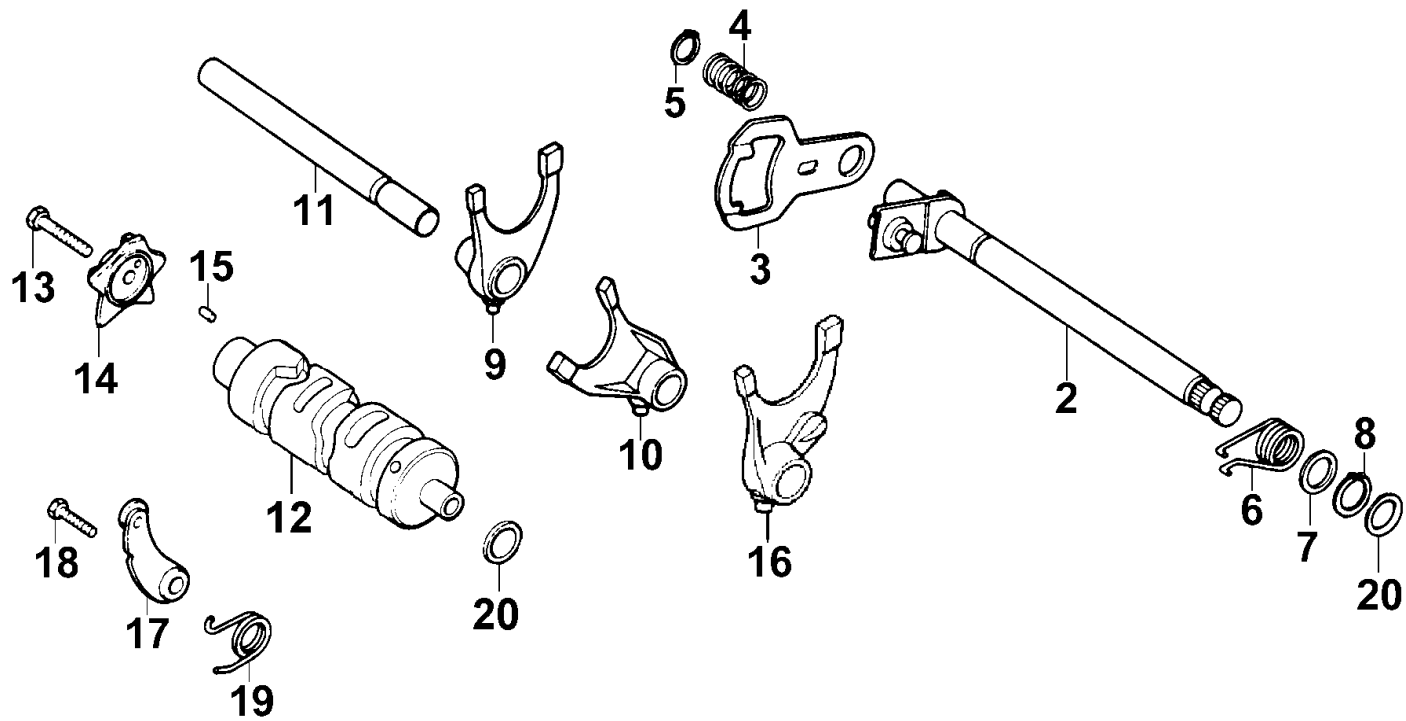
Sales mark	Ref no	Part no	Ver	Description	Chinese	Reqd. no
	21	23451-439-9010	0	GEAR C-2(32T)		1
	22	90454-107-0010	0	WASHER THRUST 20MM B		1
	23	96100-62040-00	0	BEARING BALL RADIAL 6204		1
	24	91201-030-0330	0	OIL SEAL 20X34X7		1
	25	23801-KCY-9000	0	SPROCKET DRIVE (16T)		1
	26	92000-06010-0H	0	BOLT HEX 6X10		2
	27	23811-KR3-6010	0	PLATE A2 FIXING		1
	28	90462-107-0010	0	WASHER THRUST 16M/M		1
	29	28262-397-0010	0	COLLAR KICK SPINDLE		1
	30	28261-397-0010	2	SPRING KICK STARTER		1
	31	28263-397-0010	0	RETAINER STARTER SPRING		1
	32	28251-397-0110	1	SPINDLE KICK STARTER		1
	33	28211-397-0110	0	PINION KICK STARTER		1
	34	94510-20000	0	CIR CLIP EX 20		1
	35	28221-397-0210	0	RATCHET KICK STARTER		1
	36	28253-397-0010	0	SPRING KICK STARTER RATCHET		1
	37	90453-235-0010	0	WASHER THRUST 16MM		1
	38	28270-397-0210	0	PLATE COMP RATCHET GUIDE		1
	39	94510-16000	0	CIR CLIP EX 16		1
	40	90459-107-0010	0	WASHER THRUST 12M/M		1

E 9 Transmission ● Kick Starter



Sales mark	Ref no	Part no	Ver	Description	Chinese	Reqd. no
43		23501-439-0010	0	GEAR MAIN SHAFT FIFTH (25T)		1
44		23511-439-0110	1	GEAR C-5(24T)		1

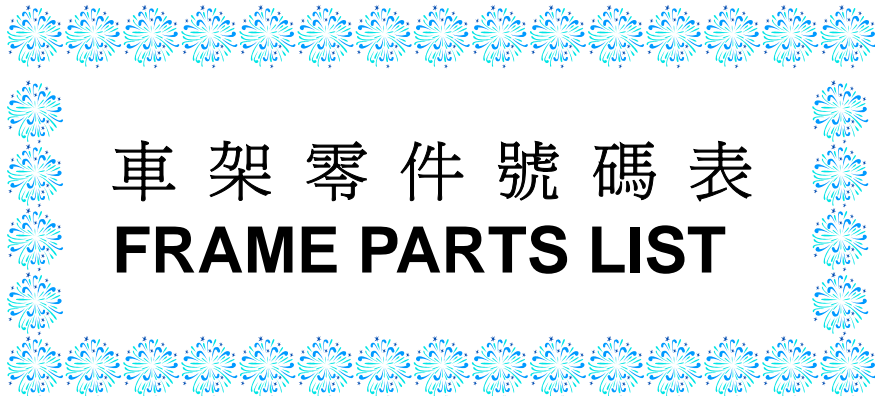
E 10 Drum Gear Shaft ● Spindle Gear Shaft



Sales mark	Ref no	Part no	Ver	Description	Chinese	Reqd. no
	2	24610-KE2-C300	1	SPINDLE COMP GEAR SHIFT		1
	3	24621-107-7610	0	PLATE GEAR SHIFT		1
	4	24631-107-0010	0	SPRING GEAR SHIFT PLATE		1
	5	94510-12000	0	CIR CLIP EX 12		1
	6	24651-398-9410	0	SPRING GEAR SHIFT RETURN		1
	7	90451-001-0010	0	WASHER THRUST 14M/M		1
	8	94510-14000	0	CIR CLIP EX 14		1
	9	24211-107-0020	0	FORK RIGHT GEAR SHIFT		1
	10	24231-107-0110	0	FORK CENTER GEAR SHIFT		1
	11	24241-107-0010	0	SHAFT GEAR SHIFT FORK GUIDE		1
	12	24301-KHC6-C000-ZF	0	DRUM GEAR SHIFT		1
	13	92000-06025-0H	0	BOLT HEX 6X25		1
	14	24411-KAK-9000	0	CAM GEAR SHIFT		1
	15	96220-40100-M1	0	ROLLER 4X10		1
	16	24221-355-0020	0	FORK LEFT GEAR SHIFT		1
	17	24430-324-0010	0	STOPPER COMP GEAR SHIFT DRUM		1
	18	92000-06020-0H	0	BOLT HEX 6X20		1
	19	24435-383-0110	0	SPG SHIFT DRUM STOPPER		1
	20	90451-001-0010	0	WASHER THRUST 14M/M		1

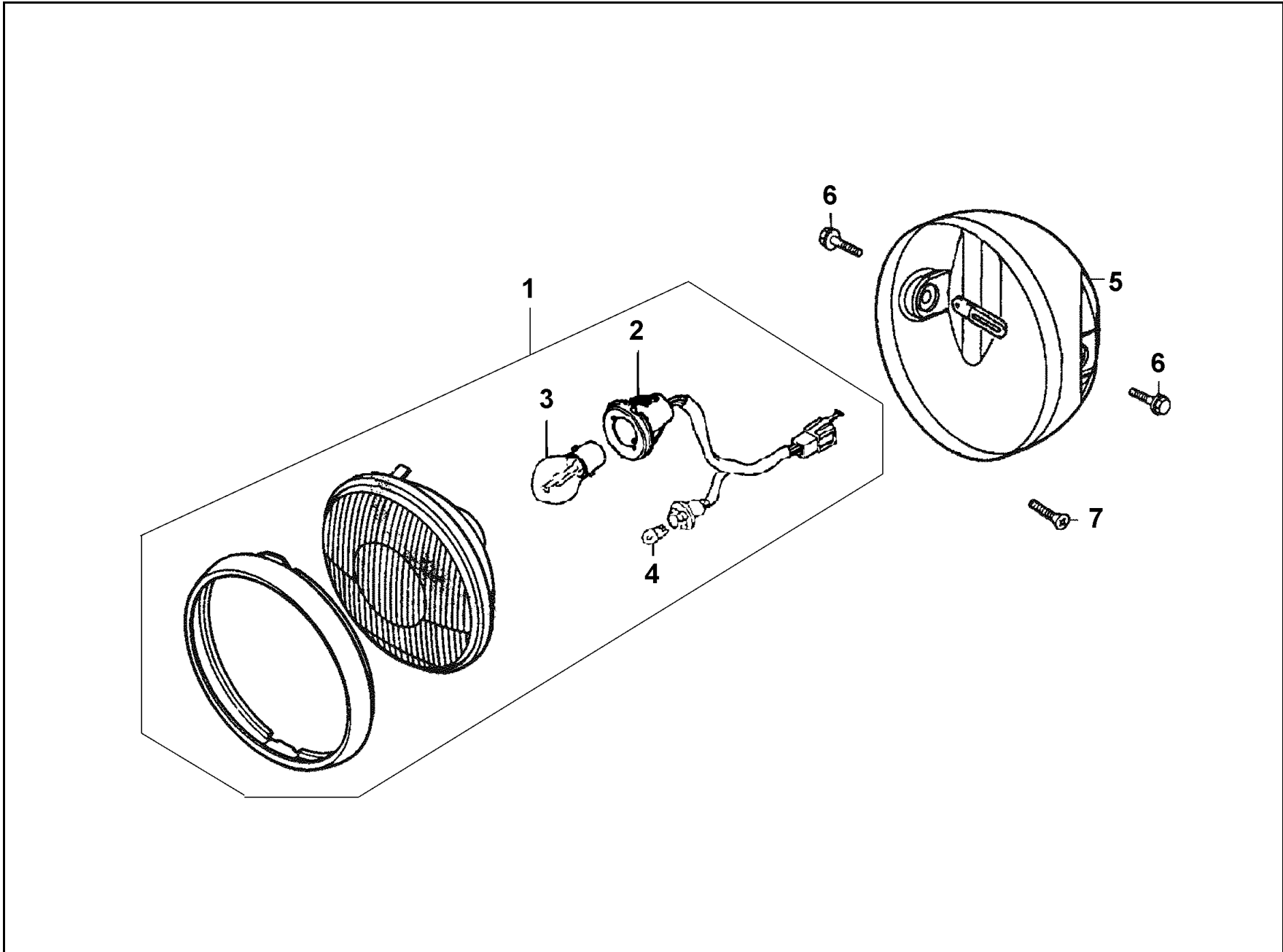
Sales mark	Ref no	Part no	Ver	Description	Chinese	Reqd. no
------------	--------	---------	-----	-------------	---------	----------

1	1610K-KE2-E000-FR	0	CARBURETOR ASSY			1
---	-------------------	---	-----------------	--	--	---



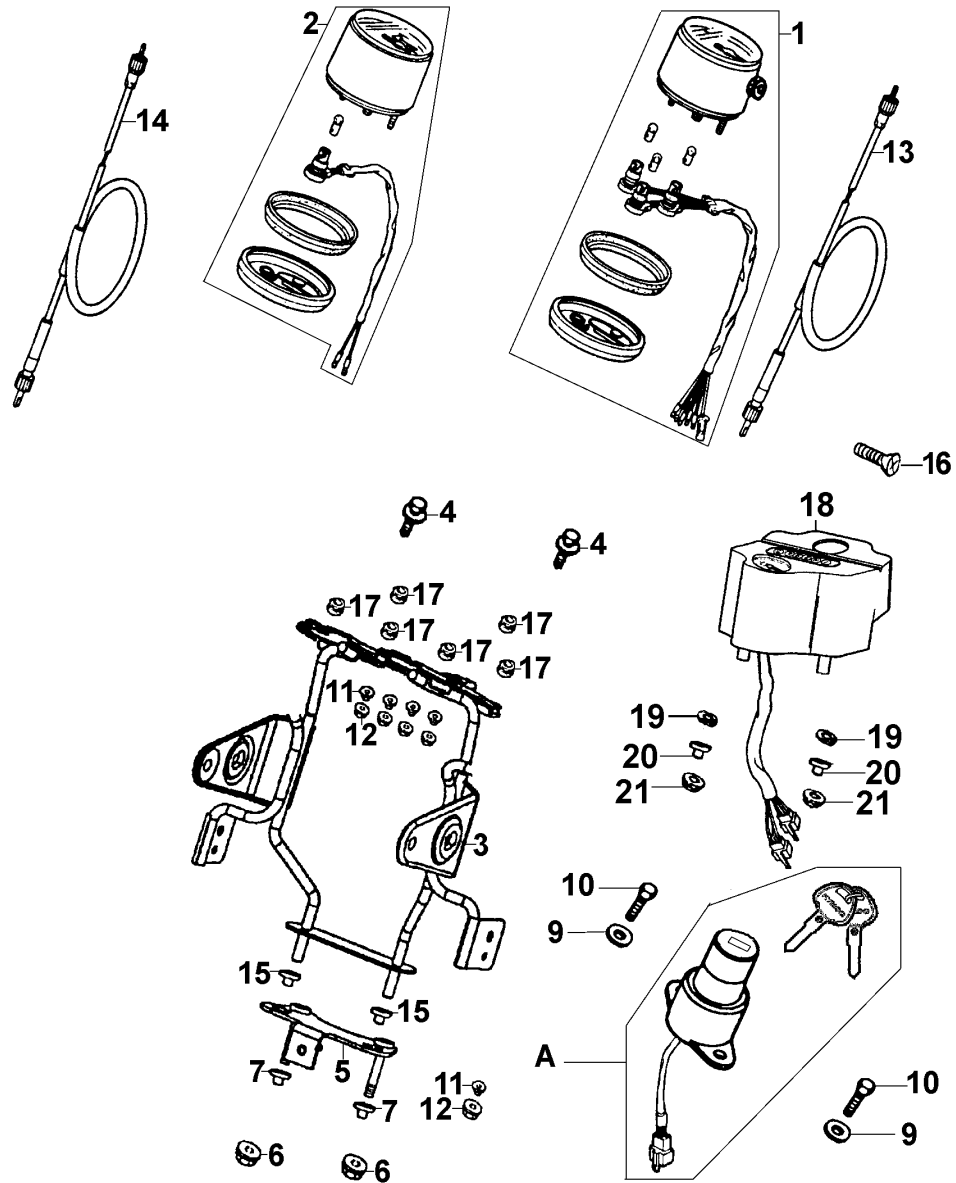
車架零件號碼表
FRAME PARTS LIST

F 1 Head Light



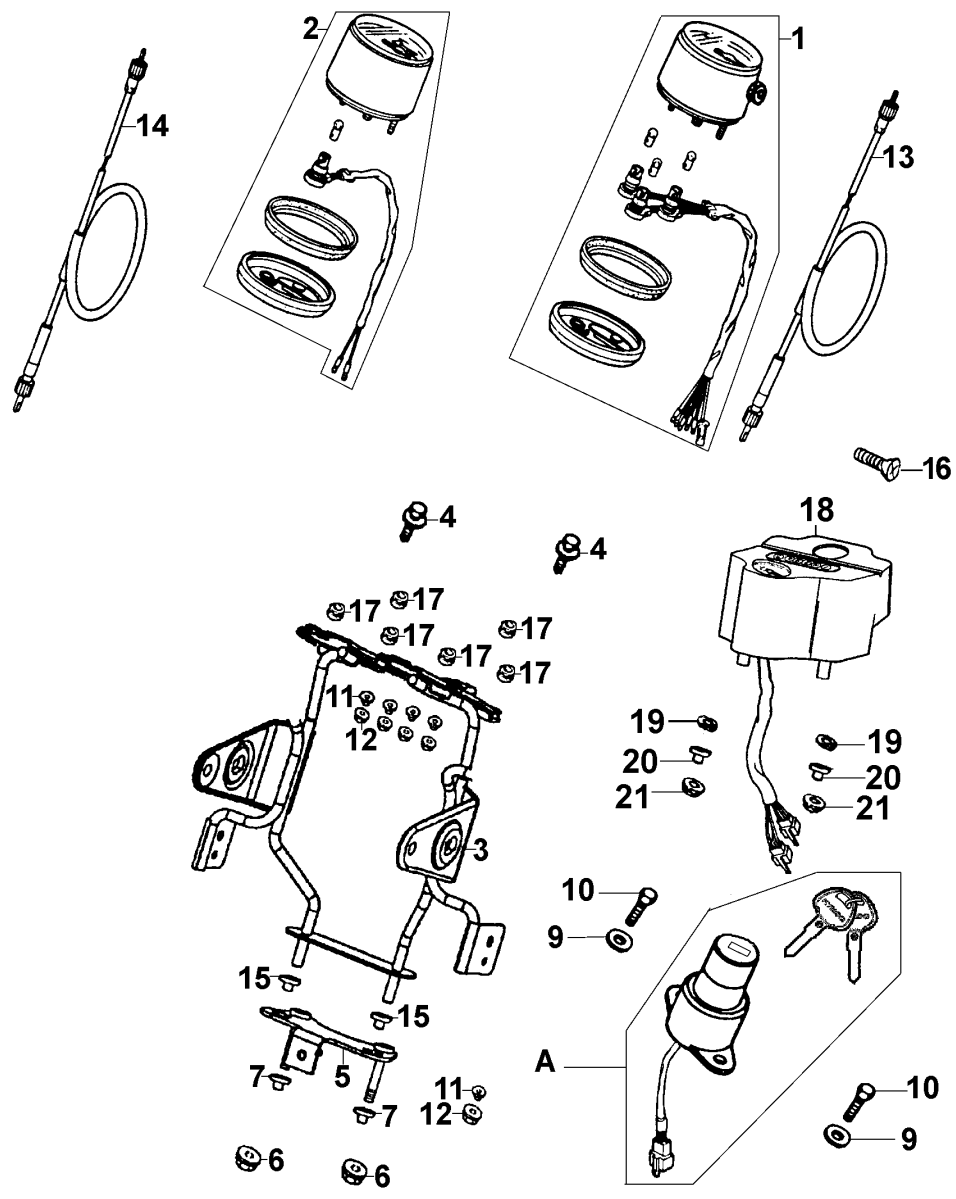
Sales mark	Ref no	Part no	Ver	Description	Chinese	Reqd. no
	1	33100-KKB1-E000	0	LIGHT ASSY HEAD		1
	2	33130-KGB4-C000	0	SOCKET HEAD LIGHT		1
	3	34901-KAB-9000	0	BULB HEAD LIGHT		1
	4	34908-GA7-7010-M1	1	BULB WEDGE BASE		1
	5	61301-KGB7-C000	0	CASE HEAD LIGHT		1
	6	95701-08016-08	0	BOLT FLANGE 8X16		2
	7	93700-05008-0H	0	SCREW OVAL 5X8		1

F 2 Speedometer



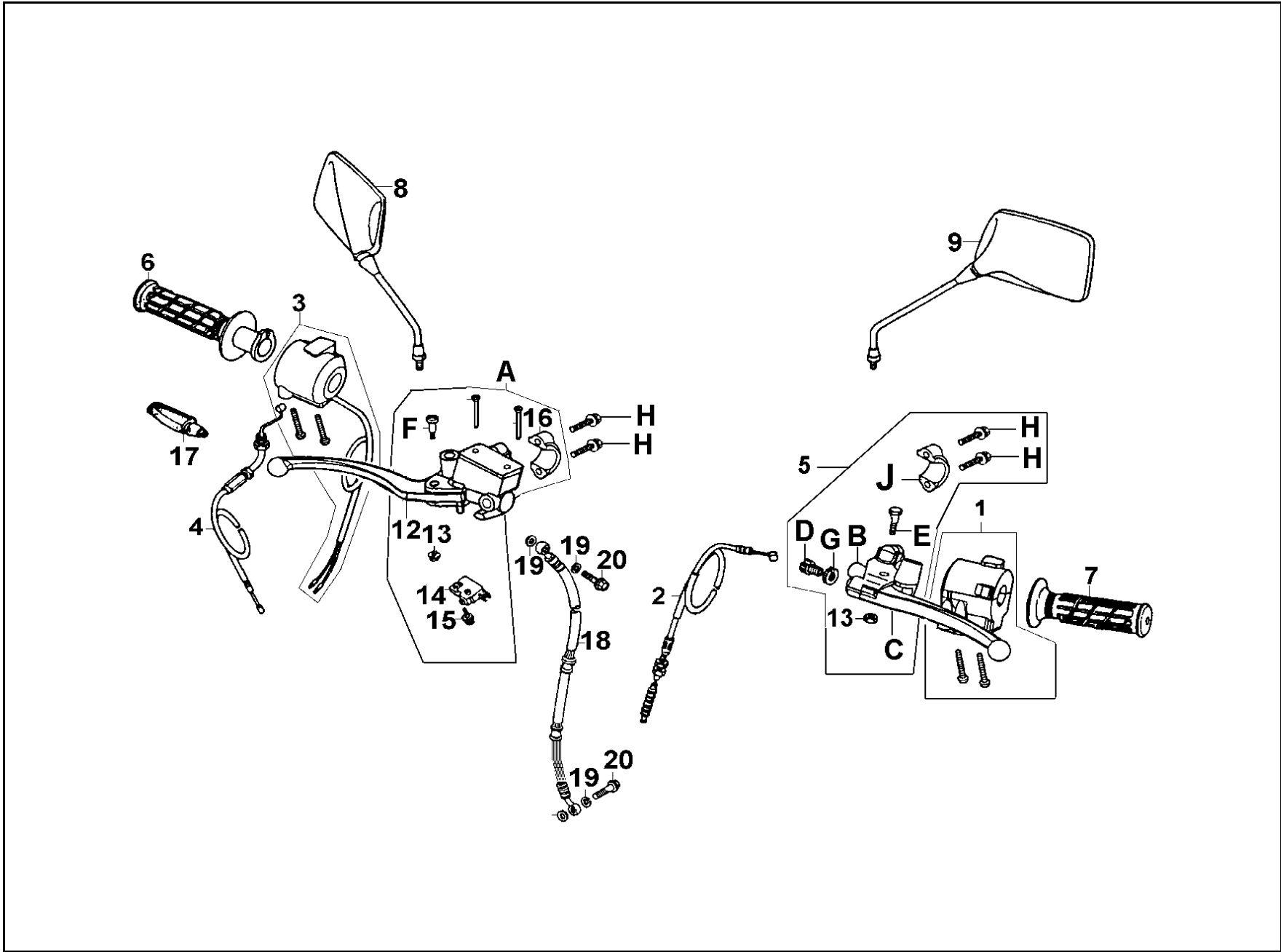
Sales mark	Ref no	Part no	Ver	Description	Chinese	Reqd. no	Ref Price
	1	37200-KGD4-C000	0	METER ASSY SPEED		1	
	2	37250-KGE2-M000-BZ	0	METER ASSY TACHO/M		1	
	3	51602-KKB1-E000	0	STAY HEAD LIGHT		1	
	4	93404-06020-08	0	BOLT WASHER 6X20		2	
	5	61405-KGD4-C000	0	STAY UNDER HEAD LIGHT		1	
	6	94050-06080	0	NUT FLANGE 6MM		2	
	7	61312-KGD4-C00	0	BOOT R/L BRKT		2	
	9	94101-06800	0	WASHER PLAIN 6MM		2	
	10	93500-06012-0H	0	SCREW PAN 6X12		2	
	11	84706-KG7-9000	2	COLLAR SET METER		6	
	12	94021-06080-0S	0	NUT HEX CAP 6MM		4	
	13	44830-KHC7-C000-ZF	0	CABLE ASSY SPDMT		1	
	14	37260-397-C000	0	CABLE ASSY TACHO METER		1	
	15	61316-471-0010	0	RUBBER H/L STAY		2	
	16	93700-05020-0A	0	SCREW OVAL 5X20		1	
	17	80101-283-0000	3	RUBBER REAR FENDER		6	
	18	3501A-KGE2-M000-BZ	0	COMB SW COVER GEAR LAMP ASSY		1	
	19	80102-KGD4-C00	0	RUBBER FUEL METER		2	
	20	90522-KGD4-C000	0	WASHER FR NUMBER PLATE		2	
	21	94001-05080-0S	0	NUT HEX 5MM		2	

F 2 Speedometer



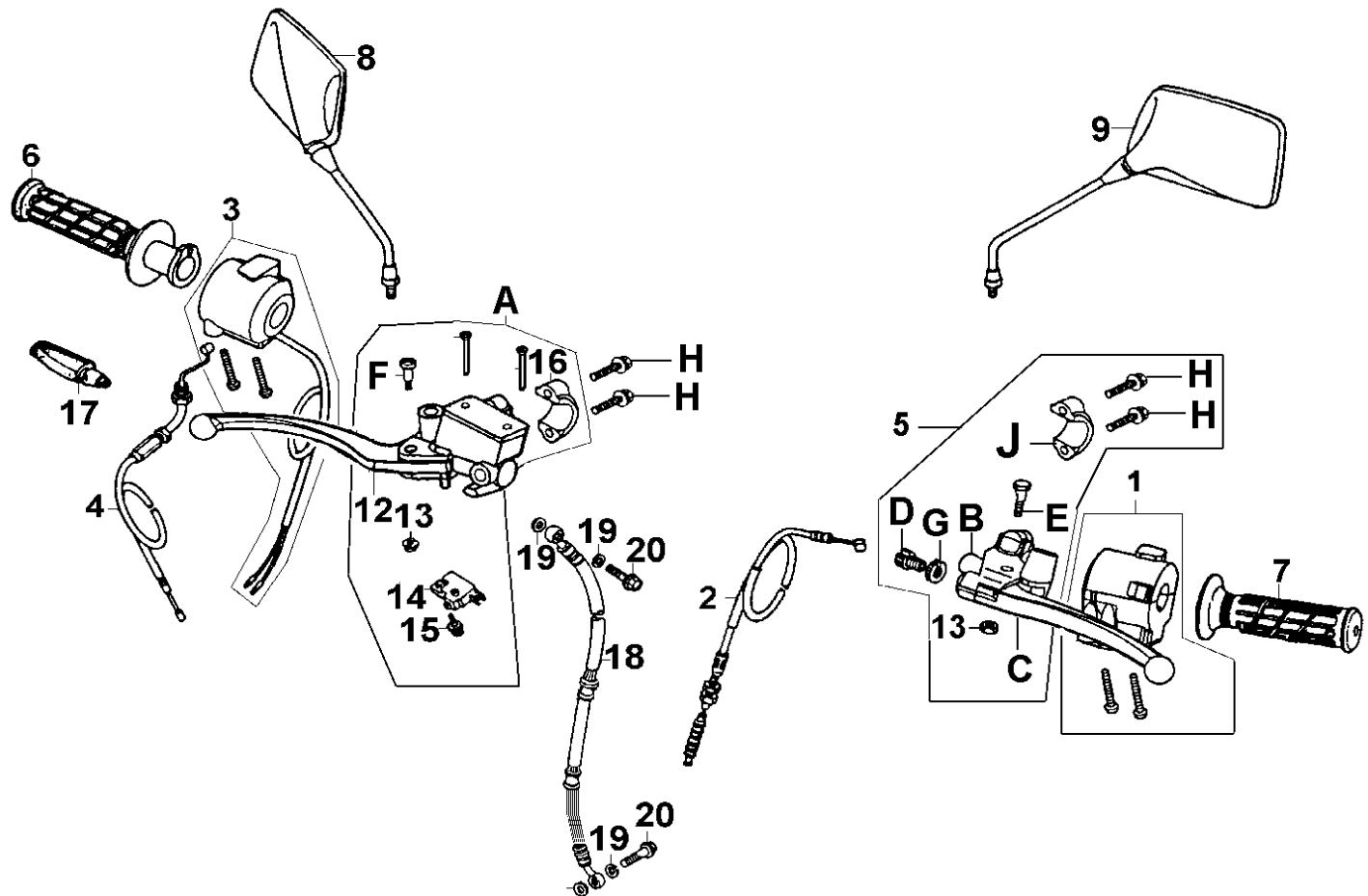
Sales mark	Ref no	Part no	Ver	Description	Chinese	Reqd. no	Ref Price
A		35100-KKB1-C000	0	SW ASSY COMB		1	

F 3 Cable ● Switch ● handle Lever



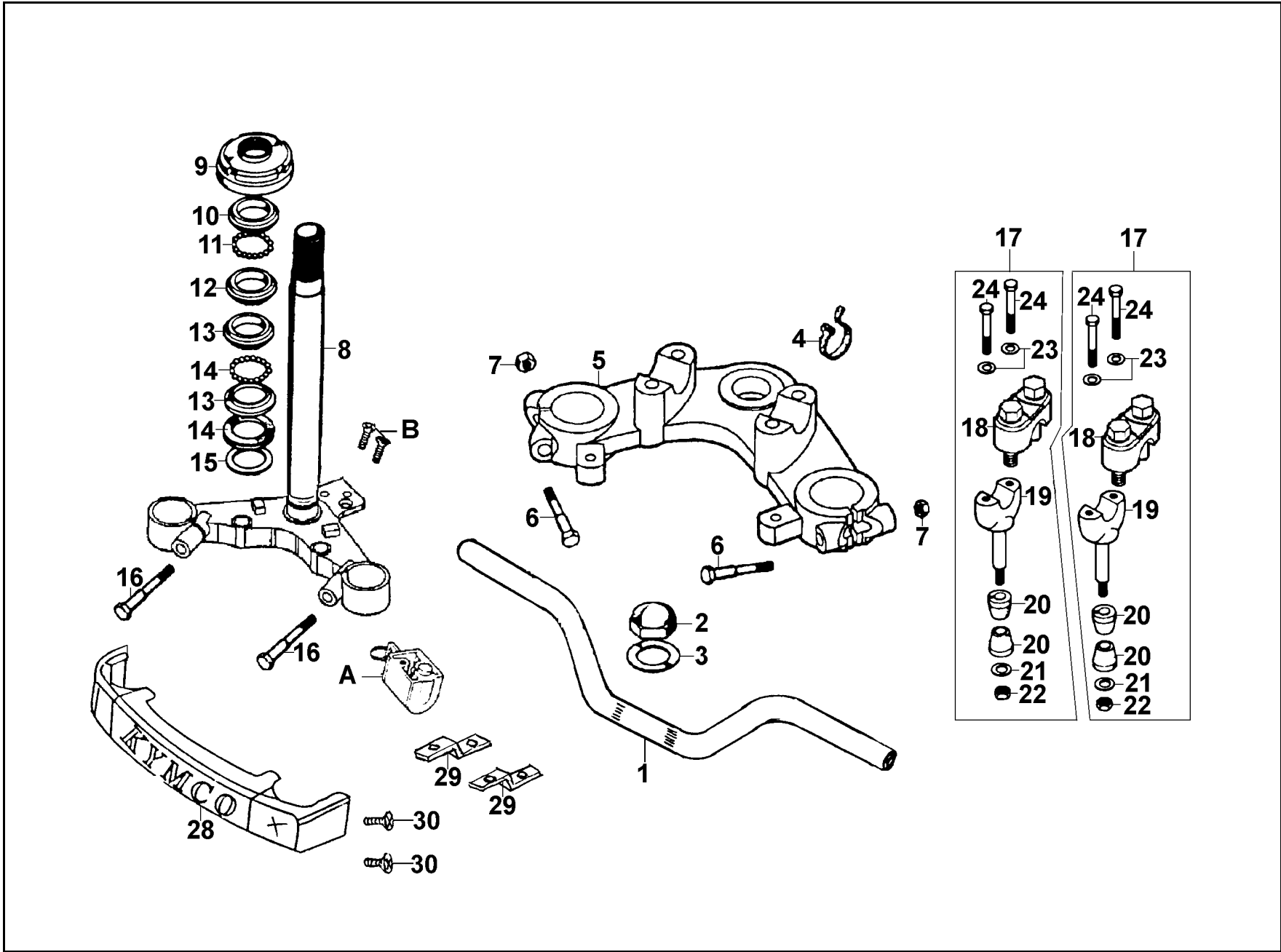
Sales mark	Ref no	Part no	Ver	Description	Chinese	Reqd. no
	1	3520A-KGD4-C000	0	SW ASSY LH HANDLE COMP		1
	2	22870-KGE2-C000	0	CABLE COMP CLUTCH		1
	3	3515A-KGD4-C000	0	SW ASSY RH HANDLE COMP		1
	4	17910-KGE2-C000-CK	0	CABLE COMP THROTTLE		1
	5	5317A-KGD4-C000	0	BRKT ASSY HNDL LH		1
	6	53140-KGB4-C000	0	GRIP COMP R		1
	7	53166-KC5-0010	0	GRIP L HANDLE		1
	8	88110-KGD4-E000	0	MIRROR ASSY R BACK		1
	9	88120-KGD4-E000	0	MIRROR ASSY L BACK		1
	12	53175-KGE2-M000	0	LEVER R STRG HNDL		1
	13	94050-06080	0	NUT FLANGE 6MM		2
	14	35340-KBN-9000	0	SW ASSY FR STOP		1
	15	93893-04012-18	0	SCREW WASHER 4X12		1
	16	45517-KAK-9000	0	HOLDER		2
	17	53173-KG7-9010	0	COVER R HNDL LEVER		1
	18	45126-KGE2-M000	0	HOSE ASSY FR BRK		1
	19	90545-300-0010	2	WASHER OIL BOLT		4
	20	90145-961-0110	0	OIL BOLT 10X22		2
	A	45500-KGD4-C000	0	CYLINDER ASSY		1
	B	53172-KGD4-C000	0	BRKT HNDL LH		1

F 3 Cable ● Switch ● handle Lever



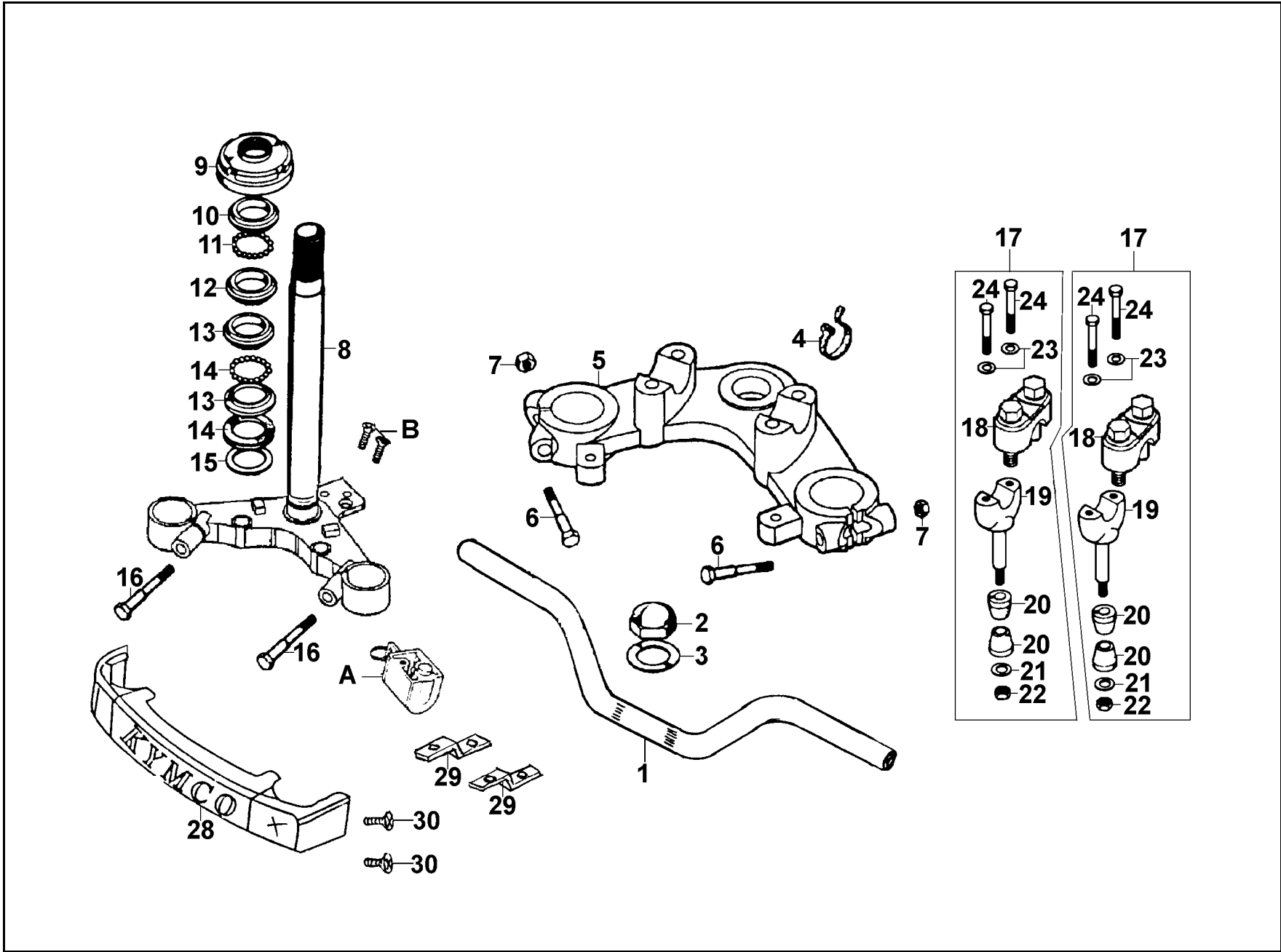
Sales mark	Ref no	Part no	Ver	Description	Chinese	Reqd. no
C		53178-KEC2-E00-NJA	0	LEVER R STRG HNDL		1
D		53192-KAK-9000	0	BOLT WIRE ADJUST		1
E		90113-422-0000	2	BOTL HANDLE LEVER PIVOT		1
F		90114-KAK-9000	0	BOLT HANDLE LEVER PIVOT		1
G		90321-KAK-9000	0	NUT FIXING		1
H		96001-06020-08	0	BOLT FLANGE 6X20		4
J		45517-KFA5-E000-IT	0	HOLDER HANDLE BRACKET		1

F 4 Handle Steering ● Stem



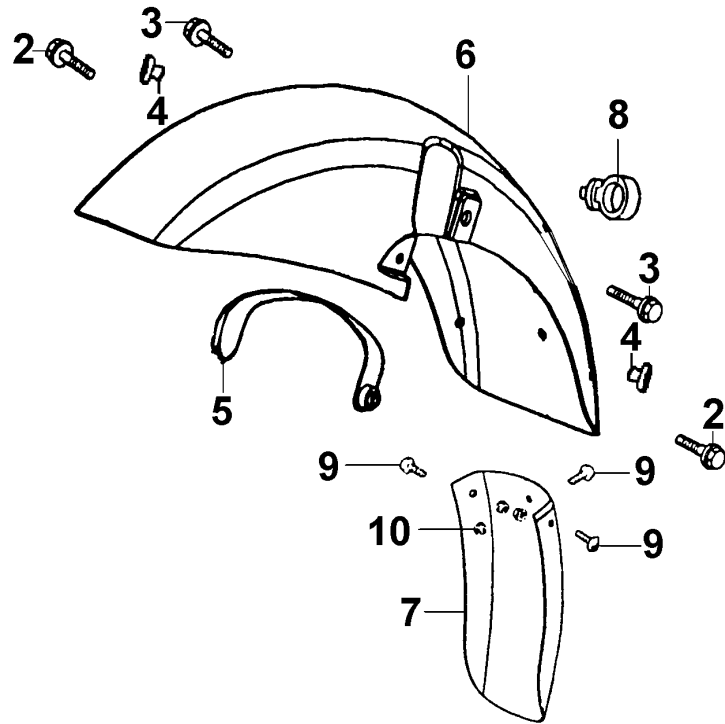
Sales mark	Ref no	Part no	Ver	Description	Chinese	Reqd. no
	1	53100-KGE2-M000-BZ	0	PIPE COMP STEERING HANDLE		1
	2	90304-195-6710	0	NUT STRG STEM		1
	3	90503-051-8700	0	WASHER STEERING STEM NUT		1
	4	32161-404-0000	2	BAND BI WIRE		2
	5	53230-LLC1-E000	0	BRIDGE FORK TOP		1
	6	90155-KG7-0010	0	BOLT FLANGE 8X56		2
	7	94050-08080	0	NUT FLANGE 8MM		2
	8	53200-KGD4-C000	0	STEM COMP STEERING		1
	9	53220-098-6710	0	THREAD COMP STRG HD TOP		1
	10	53211-028-0110	1	RACE STRG TOP CONE		1
	11	96211-06000	0	BALL STEEL 6		42
	12	50301-041-0110	0	RACE STRG BALL		2
	13	53212-030-0110	0	RACE STRG BOTTOM CONE		1
	14	53214-001-0110	0	DUST SEAL STRG HEAD		1
	15	53215-001-0010	0	WASH STRG HDL DUST-SEAL		1
	16	92000-08040-0H	0	BOLT HEX 8X40		2
	17	5313A-398-9400	0	HOLDER COMP HANDLE		2
	18	53131-398-9400	0	HOLDER HANDLE PIPE		2
	19	53132-237-6800	0	HOLDER UNDER HNDL PIPE		2
	20	53133-398-9400	0	RUBBER HANDLE CUSHION		4

F 4 Handle Steering ● Stem



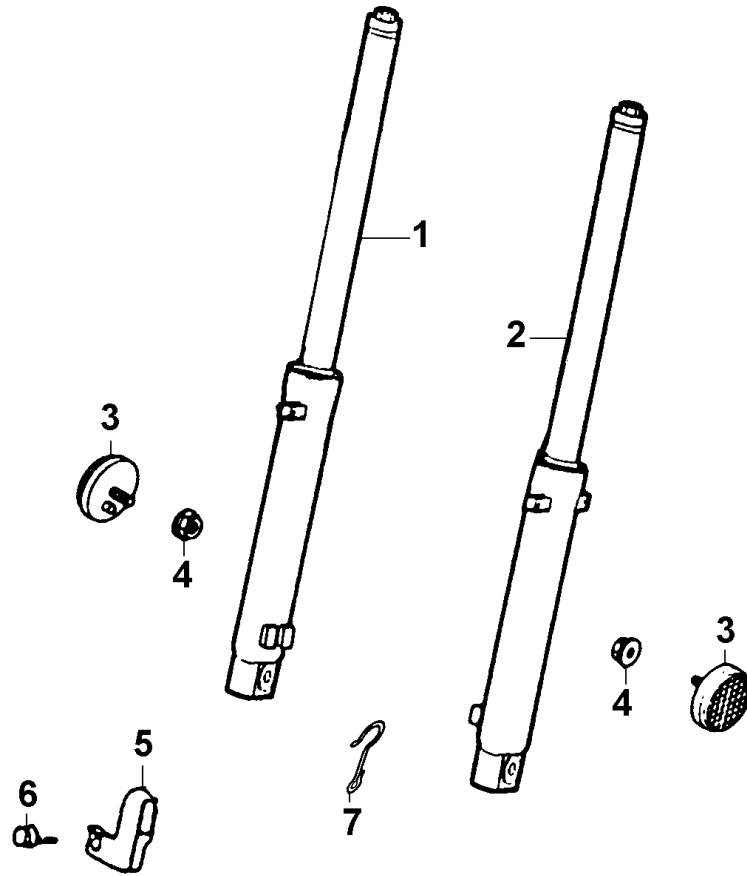
Sales mark	Ref no	Part no	Ver	Description	Chinese	Reqd. no
	21	53134-283-0010	0	HANDLE CUSHION WASHER		2
	22	94001-10080-0S	0	NUT HEX 10MM		2
	23	94101-08800	0	WASHER PLAIN 8MM		4
	24	92000-08036-0H	0	BOLT HEX 8X36		4
	28	61401-KGE2-C10	0	COVER FRONT		1
	29	61406-KGE2-C000	0	STAY FR COVER		2
	30	95701-06012-08	0	BOLT FLANGE 6X12		2
A		53600-KKB1-E000	0	LOCK SET STEERING HANDLE		1
B		90164-028-9000	1	SCREW FLAT U LOCK 6X12		2

F 5 Front Fender



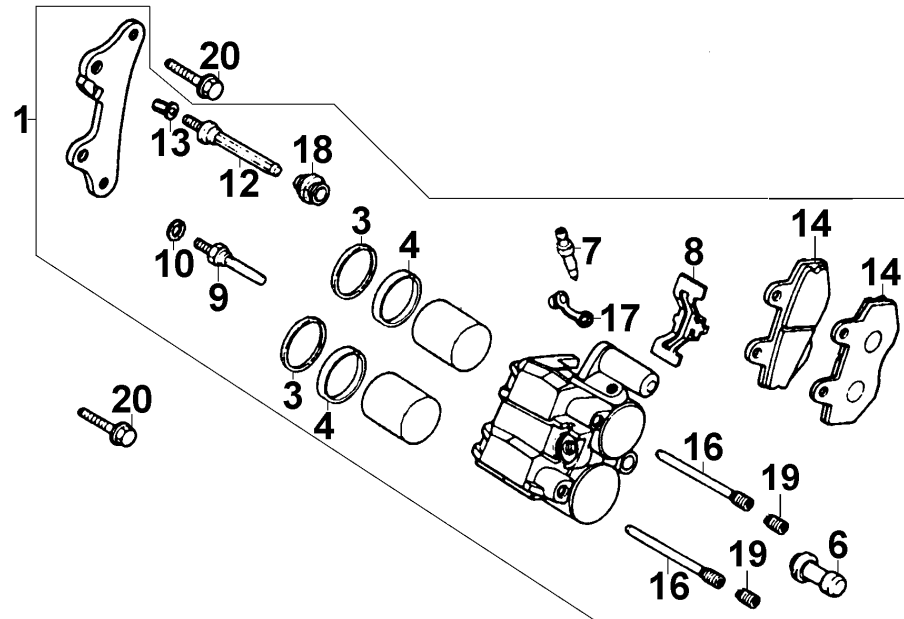
Sales mark	Ref no	Part no	Ver	Description	Chinese	Reqd. no
	2	95701-06025-08	0	BOLT FLANGE 6X25		2
	3	95701-06016-08	0	BOLT FLANGE 6X25		2
	4	90522-KGD4-C000	0	WASHER FR NUMBER PLATE		2
	5	61102-KGD4-C000	0	STAY FR FENDER		1
**	6	6110A-KGD4-C000	0	FENDER FRONT		1
	7	61101-KGD4-C000	0	FENDER FRONT LOW		1
	8	45451-471-0010	1	GROMMET WIRE		1
	9	93891-05012-07	0	SCREW WASHER 5X12		3
	10	94050-05080	0	NUT FLANGE 5MM		3

F 6 Front Fork



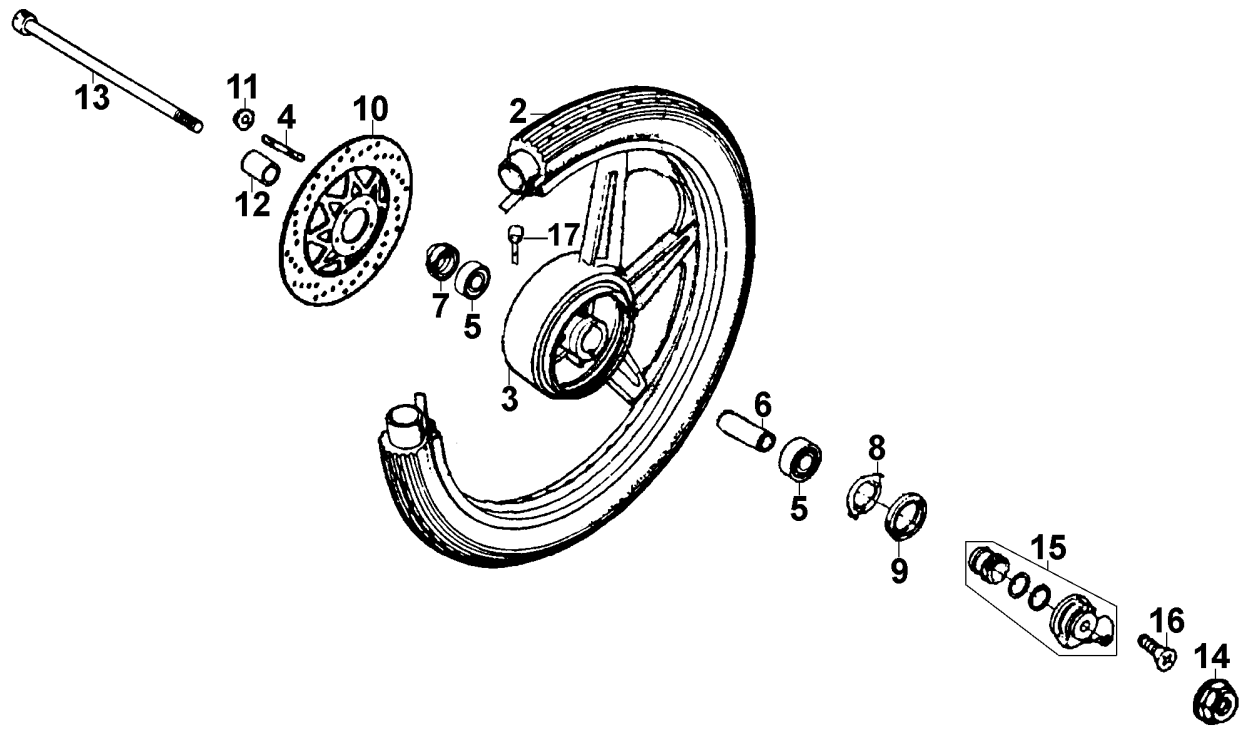
Sales mark	Ref no	Part no	Ver	Description	Chinese	Reqd. no
	1	51400-KGE2-M90	0	FORK ASSY FR R		1
	2	51500-KGE2-M90	0	FORK ASSY FR L		1
	3	33741-KGB4-C00	0	REFLEX REFLECTOR		2
	4	94050-06080	0	NUT FLANGE 6MM		2
	5	45127-KGD4-C00	0	CLAMPER FR BRK HOSE		1
	6	95701-06012-08	0	BOLT FLANGE 6X12		1
	7	45156-KGD4-C000	0	CLAMPER FR HOSE		1

F 7 Front Caliper



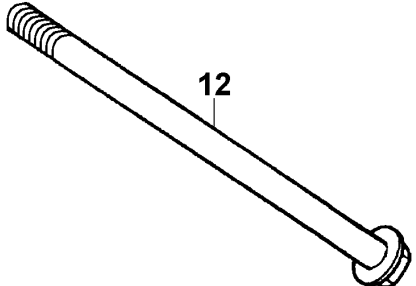
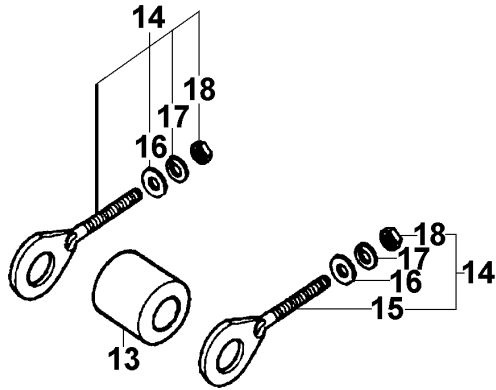
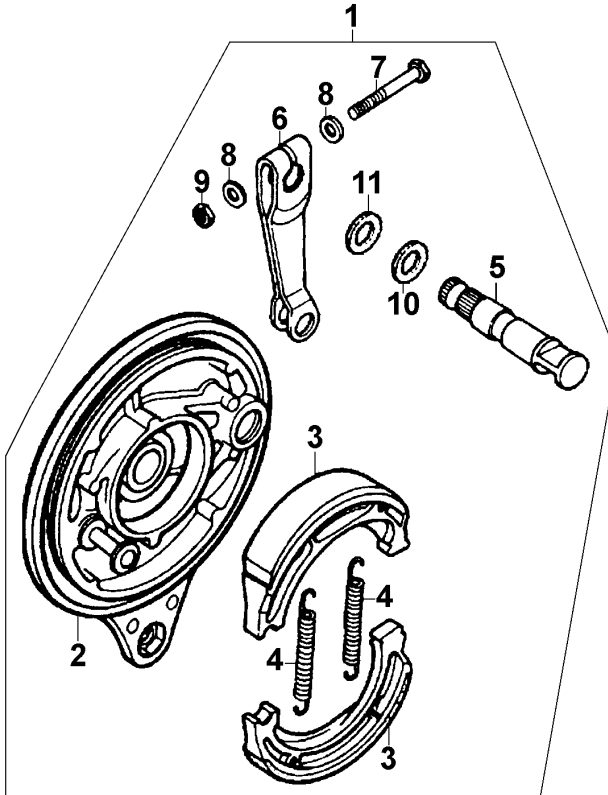
Sales mark	Ref no	Part no	Ver	Description	Chinese	Reqd. no
	1	45200-KGE2-E000-BZ	0	CALIPER ASSY FR		1
	3	45209-GE2-0060	0	SEAL PISTON		2
	4	45109-GE2-0060	0	DUST SEAL		2
	6	45132-166-0160	0	BUSH PIN		1
	7	43352-568-0030	3	BLEEDER		1
	8	45108-GE2-0070	2	SPRING PAD		1
	9	45131-166-0160	0	PIN BOLT		1
	10	45216-166-0060	0	WASHER WAVE		1
	12	45131-GE2-0060	1	PIN BOLT A		1
	13	94050-08080	0	NUT FLANGE 8MM		1
	14	45105-KGE2-E000	0	PAD COMP		2
	16	45215-GE2-0060	0	HANGER PIN		2
	17	43353-461-7710-M1	0	CAP BLEEDER		1
	18	45133-MA3-0060	0	BOOT PIN		1
	19	45203-MG3-0100	6	PLUG PIN		2
	20	90122-KGD4-C00	0	BOLT FLANGE 8X25		2

F 8 Front Wheel



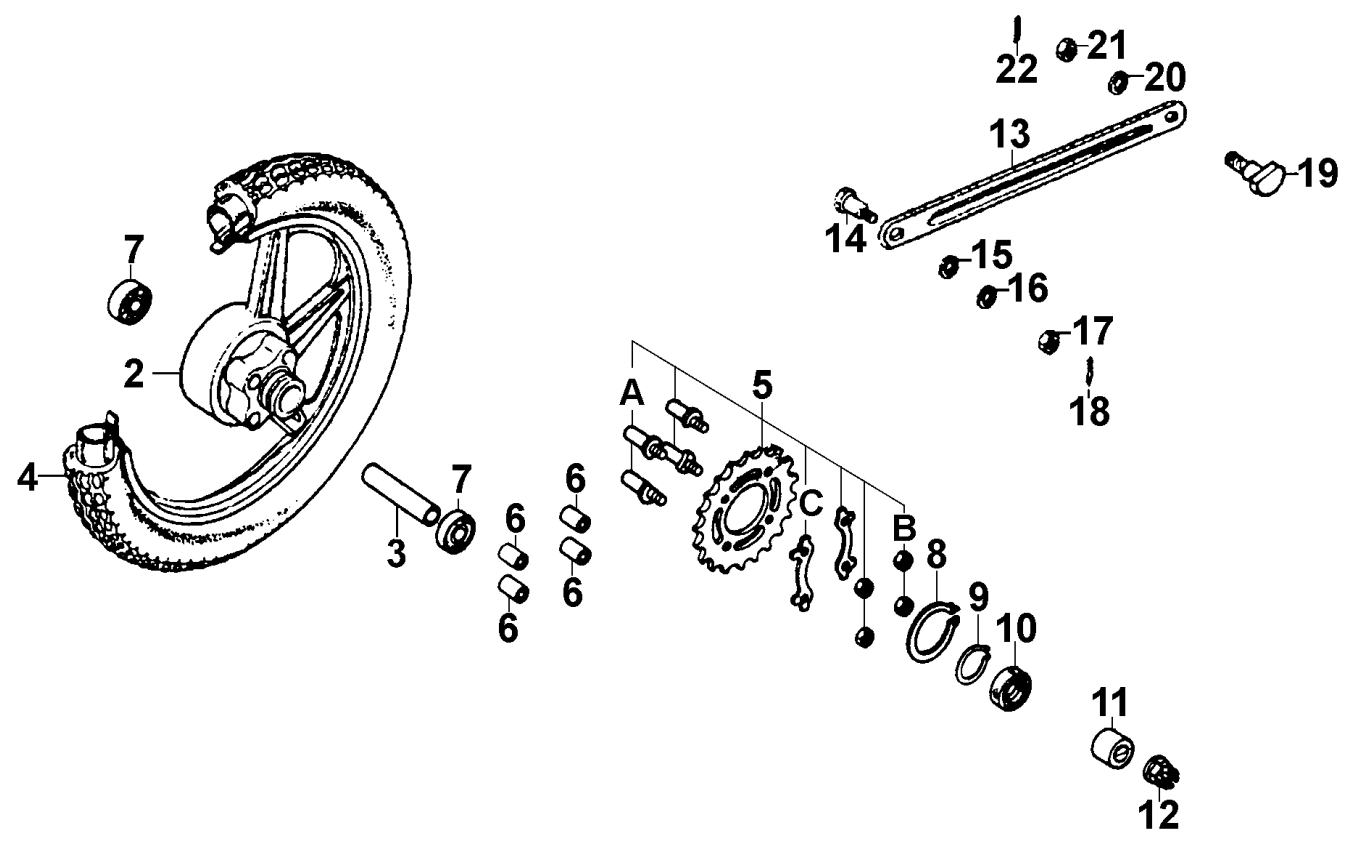
Sales mark	Ref no	Part no	Ver	Description	Chinese	Reqd. no
	2	44710-KGD4-C000-H	0	TIRE ASSY FR 2.75-18 42P		1
	3	44601-KGE2-M90	0	WHEEL COMP FR CASTMT 1.85X18		1
	4	92900-06018-1B	0	BOLT STUD 6X18		5
	5	96120-63010-10	0	BEARING BALL RADIAL 6301		2
	6	44620-400-0000	0	COLLAR FR DIST		1
	7	91252-030-0000	0	OIL SEAL WHEEL 23X37X7		1
	8	44680-410-0010	0	RETAINER GEAR BOX		1
	9	91258-410-0000-M2	0	DUST SEAL 40X50X5		1
	10	45121-KGE2-C000	0	DISK FR BRAKE		1
	11	90301-473-0040	0	NUT U 6MM		5
	12	44311-046-0010	0	COLLAR FR WHEEL SIDE		1
	13	44301-KG7-900	2	AXLE FR WHEEL M12X226		1
	14	90306-GW0-9020-M1	0	NUT U FLANGE 12MM		1
	15	44800-KGD4-C000	0	GEAR BOX ASSY SPDMT		1
	16	93700-05016-0H	0	SCREW OVAL 5X16		1
	17	42753-ML7-0050	0	VALVE RIM		1

F 9 Rear Brake Panel



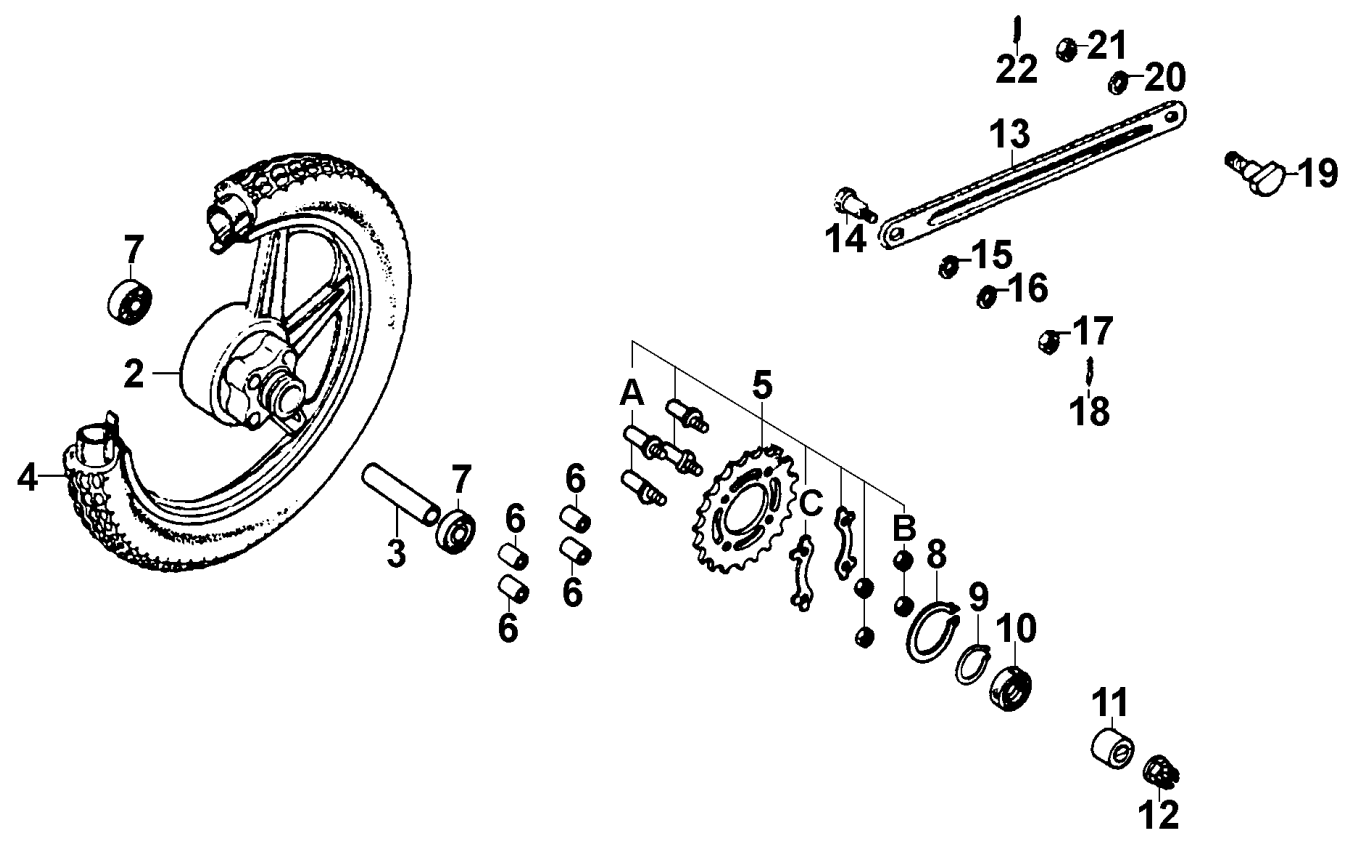
Sales mark	Ref no	Part no	Ver	Description	Chinese	Reqd. no
	1	43000-KG7-840-NJA	2	PANEL ASSY REAR BRAKE		1
	2	43100-KG7-8320	0	PANEL COMP REAR BRAKE		1
	3	43120-KG7-0020	3	SHOE COMP REAR BRKAE		2
	4	45133-240-0000	1	SPRING FRONT BRAKE SHOE		2
	5	43141-KG7-0000	1	CAM REAR BRAKE		1
	6	43410-KE2-9000	0	ARM REAR BRAKE		1
	7	92001-06036-0H	0	BOLT HEX X36		1
	8	90525-001-0000	0	BRAKE ARM WASHER		2
	9	94001-06080-0S	0	NUT HEX 6MM		1
	10	45134-250-0000	0	BRAKE CAM DUST SEAL		1
	11	90549-121-0000	0	WASHER PLAIN 14M/M		1
	12	42301-KE2-9810	2	AXLE RR WHEEL M16X234		1
	13	42311-KG7-0010	0	COLLAR RR BRAKE PANEL SIDE		1
	14	4054A-KGB4-C000	0	DRIVE CHAIN ADJUSTER ASSY		2
	16	94101-06800	0	WASHER PLAIN 6MM		2
	17	94111-06800	0	WASHER SPG 6MM		2
	18	94001-06080-0S	0	NUT HEX 6MM		2

F 10 Rear Wheel



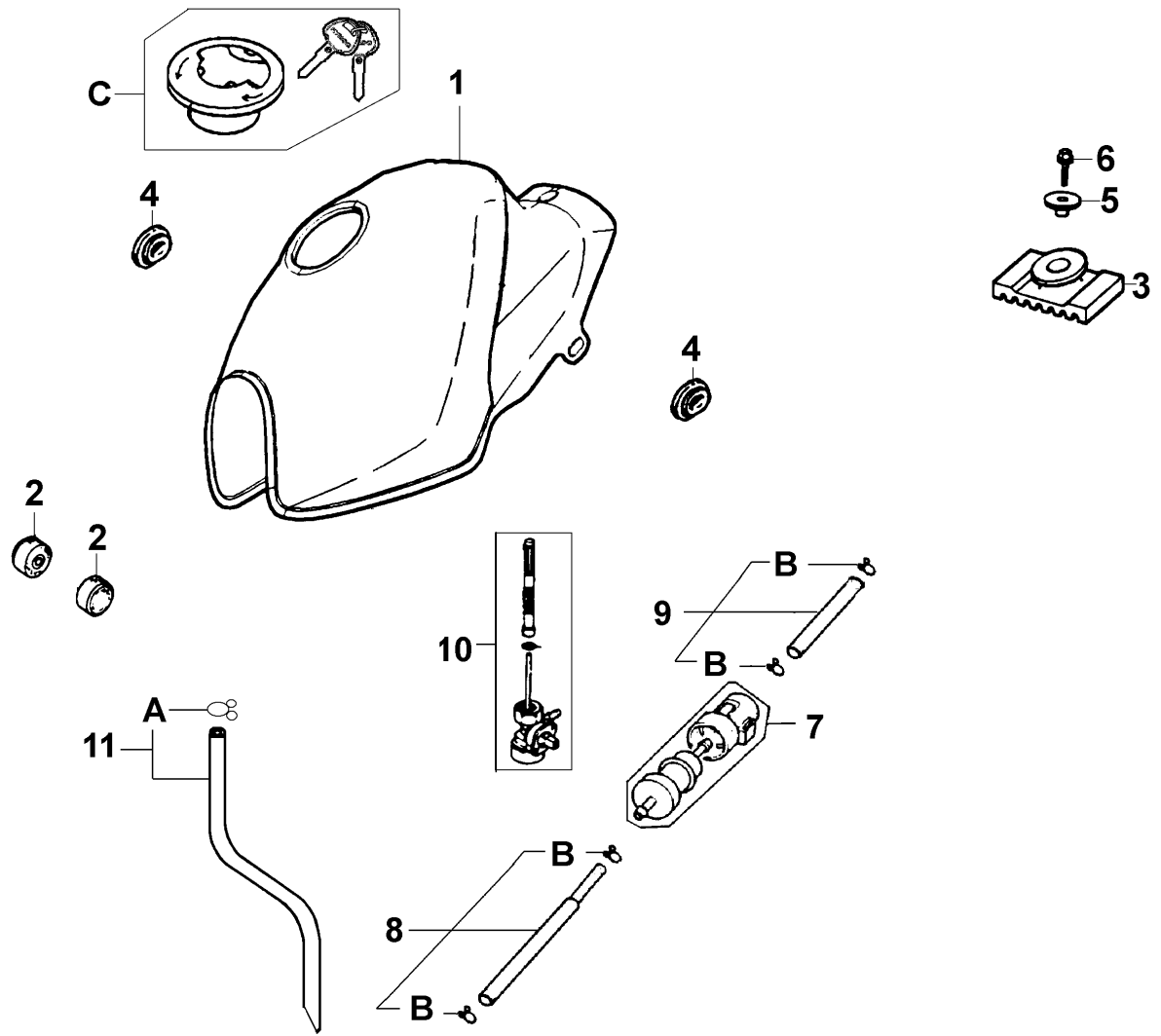
Sales mark	Ref no	Part no	Ver	Description	Chinese	Reqd. no
	2	42601-KGE2-M000-BZ	0	WHEEL COMP RR CAST		1
	3	42620-235-0010	0	COLLAR REAR AXLE DISTANCE		1
	4	42710-KGD4-C000-H	0	TIRE ASSY RR 3.25X17 50P		1
	5	4120A-KKA7-E000	0	SPROCKET ASSY (39T)		1
	6	41241-307-0110	0	BUSH RR WHEEL DAMPER		4
	7	96120-63030-10	0	BEARING BALL RADIAL 6303		2
	8	90664-216-9000	0	CIR CLIP 58MM		1
	9	94524-47000	0	CIR CLIP IN 47		1
	10	90757-439-9310	0	DUST SEAL REAR WHEEL		1
	11	42313-KG7-0000	1	COLLAR REAR HUB SIDE		1
	12	90305-KW6-9120-M1	0	NUT U FLANGE 16MM		1
	13	43431-KG7-0010	1	ARM REAR BRAKE STOPPER		1
	14	92812-10000	0	BOLT RR BRAKE STPR ARM		1
	15	94101-08800	0	WASHER PLAIN 8MM		1
	16	94111-10800	0	WASHER SPG 10MM		2
	17	94001-08080-0S	0	NUT HEX 8MM		1
	18	94201-20151	0	PIN SPLIT 2X15		1
	19	90127-240-9010	1	BOLT REAR BRAKE PANEL STOPPER		1
	20	43434-286-0010	0	RUBBER STOPPER ARM CUSHION		1
	21	94001-08080-0S	0	NUT HEX 8MM		1

F 10 Rear Wheel



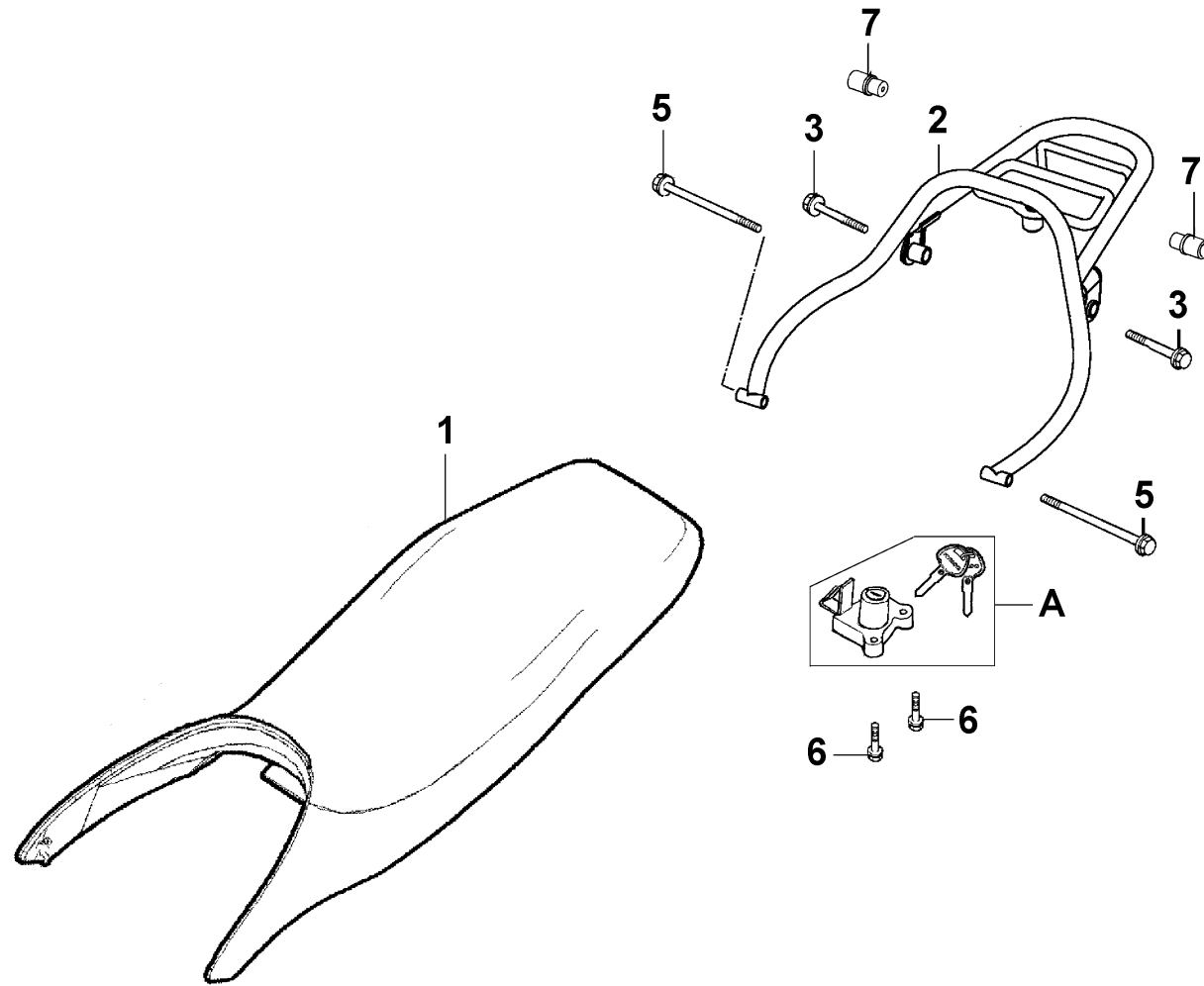
Sales mark	Ref no	Part no	Ver	Description	Chinese	Reqd. no
22		94201-16151	0	PIN SPLIT 1.6X15		1
A		90128-216-0010	0	PIN SPROCKET FIX		4
B		94031-10080	0	NUT HEX 10MM		4
C		90522-222-0010	0	WASHER TONGUED		2

F 11 Fuel Tank



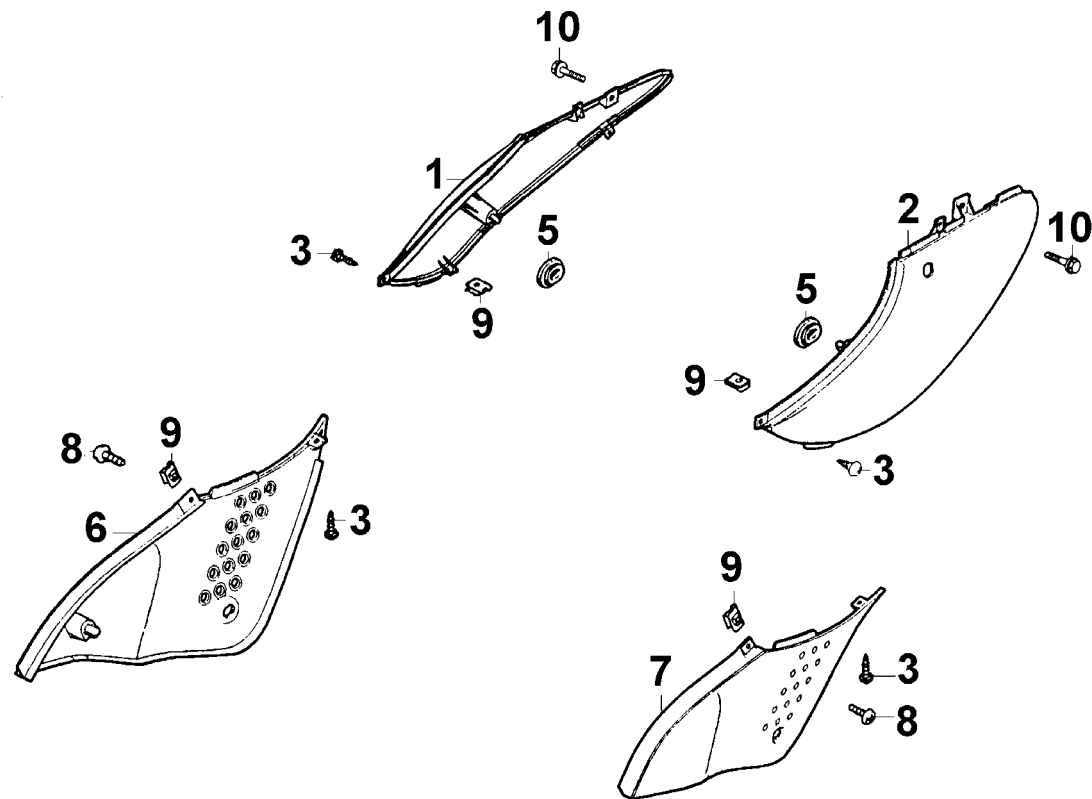
Sales mark	Ref no	Part no	Ver	Description	Chinese	Reqd. no
**	1	17510-KGE2-C000	0	TANK COMP FUEL		1
	2	17611-286-0010	0	CUSHION FRONT FUEL TANK		2
	3	17613-KW6-9100	0	CUSH FUEL TANK RR		1
	4	83551-KAK-9000	0	GROMMET AIR CLEANER CASE		2
	5	17525-KG7-8310	0	COLLAT FUEL TANK MT		1
	6	95701-08035-08	0	BOLT FLANGE 8X35		1
	7	1691A-GY6-9010-M1	0	STRAINER ASSY FUEL		1
	8	16956-KGE2-M000-BZ	0	TUBE COMP FUEL 4.5X120		1
	9	17682-KGE2-M000	0	TUBE FUEL COMP 4.5X100		1
	10	16950-397-631	1	COCK ASSY FUEL		1
	11	9500A-KGB4-C000	0	TUBE DRAIN		1
	A	15772-500-0130	1	CLIP BREATHER TUBE		1
	B	95002-02080	0	CLIP B8 TUBE		4
	C	17620-KKB1-E000	0	CAP COMB SET FUEL FILLER		1

F 12 Seat



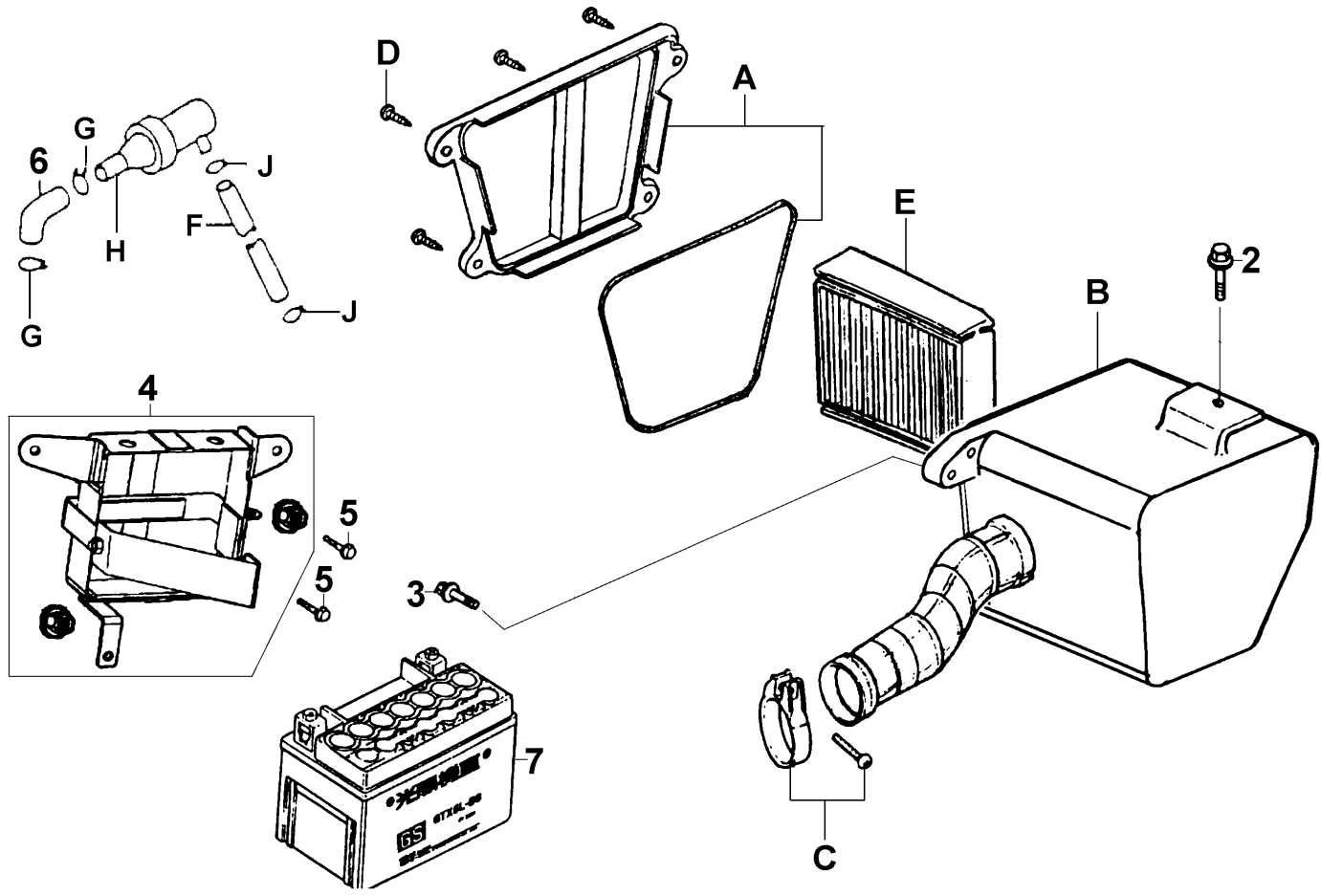
Sales mark	Ref no	Part no	Ver	Description	Chinese	Reqd. no
	1	77200-KGE2-C000	0	SEAT ASSY		1
	2	81200-KGD4-E000	0	CARRIER COMP REAR		1
	3	90106-KGD4-C00	0	BOLT SPECIAL 8X38		2
	5	90108-KGD4-C00	0	BOLT SPECIAL 8X108		2
	6	96001-06010-08	0	BOLT FLANGE SH 6X10		2
	7	64316-KGD4-C000	0	PLUG COLLAR		2
	A	77239-KKB1-3050	0	COMB SEAT LOCK & HELMENT		1

F 13 Side Cover



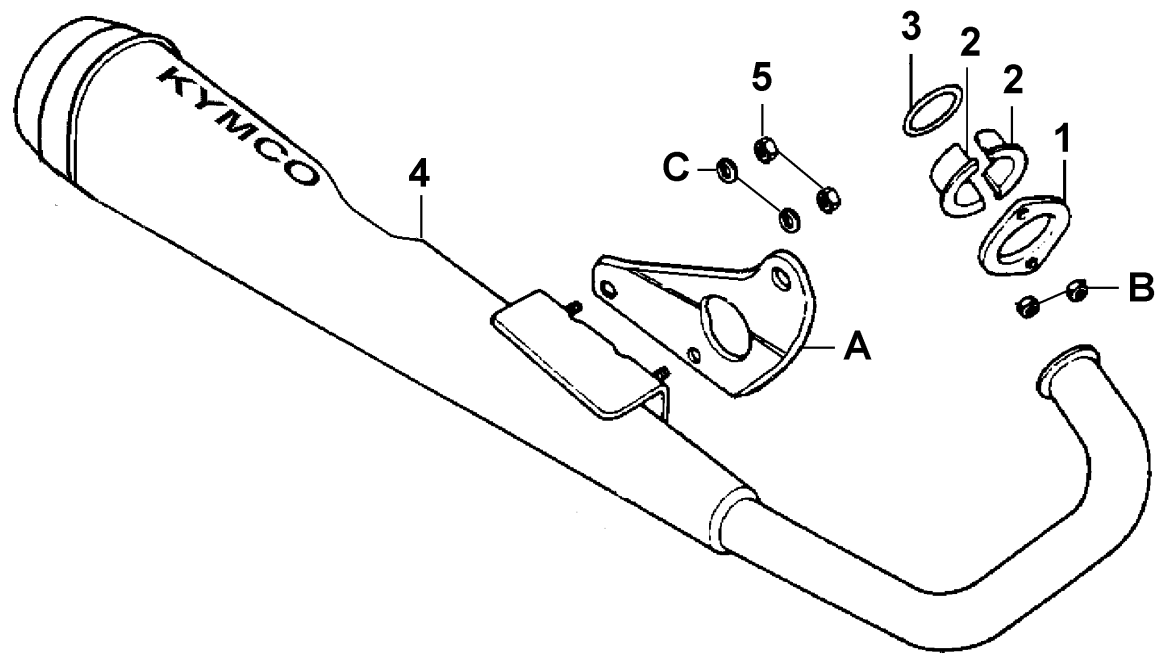
Sales mark	Ref no	Part no	Ver	Description	Chinese	Reqd. no
**	1	83500-KGB4-C000	0	COVER R BODY		1
**	2	83600-KGB4-C000	0	COVER L BODY		1
	3	93903-34280	0	SCREW TAPPING 4X10		4
	5	83551-KAK-9000	0	GROMMET AIR CLEANER CASE		2
**	6	6430A-KGE2-C10	0	COVER ASSY R SIDE		1
**	7	6430B-KGE2-C10	0	COVER ASSY L SIDE		1
	8	90112-MC7-0010	0	SCREW FAIRING SET		2
	9	90302-SA4-0040	1	NUT SPRING 4MM		4
	10	95701-06012-08	0	BOLT FLANGE 6X12		2

F 14 Air Cleaner



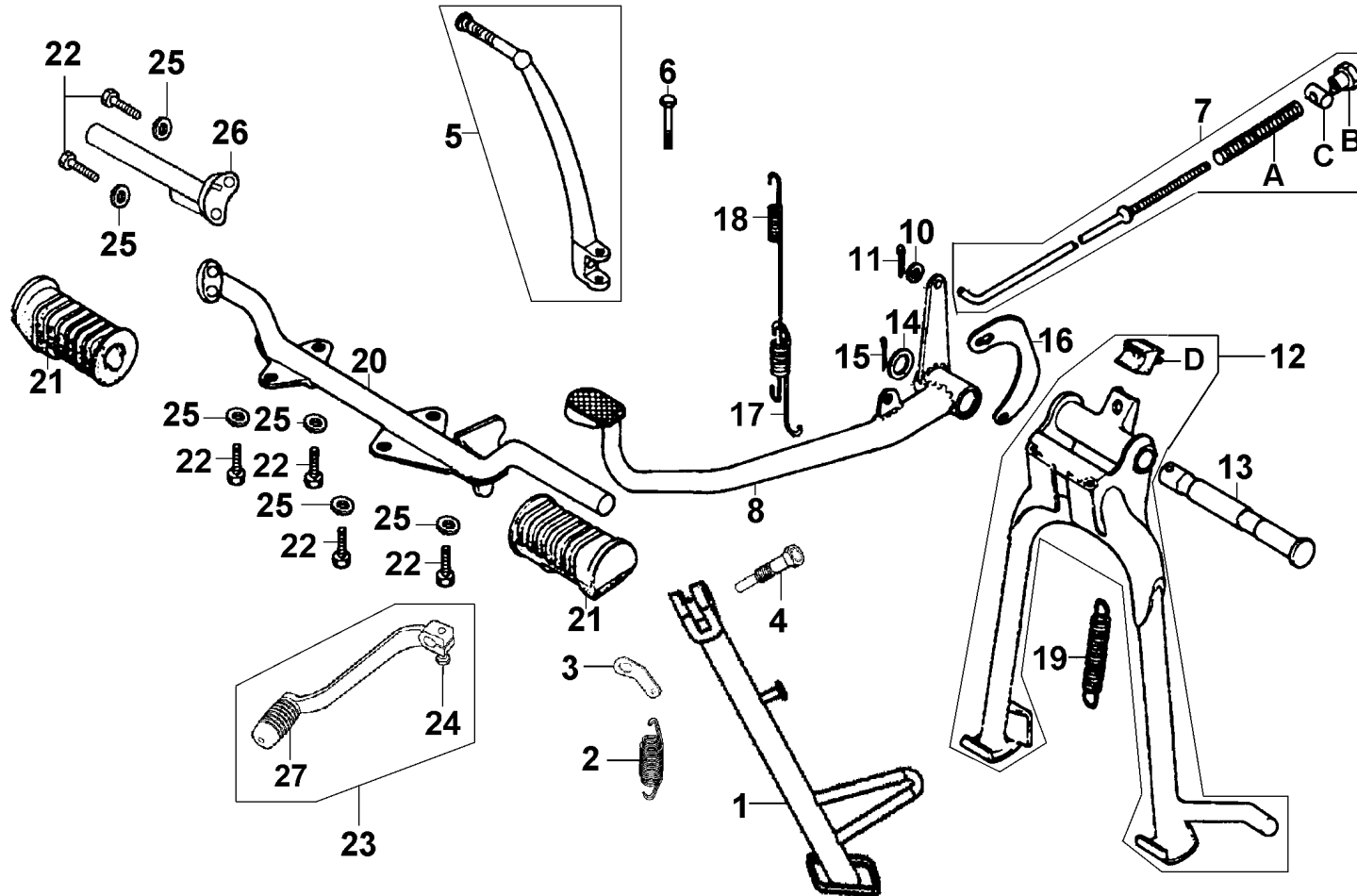
Sales mark	Ref no	Part no	Ver	Description	Chinese	Reqd. no
	2	95701-06016-08	0	BOLT FLANGE 6X16		1
	3	95701-06022-07	0	BOLT FLANGE 6X22		1
	4	5032A-KGE2-M000	0	BOX ASSY BATTERY		1
	5	95701-06010-08	0	BOLT FLANGE 6X10		2
	6	95005-KG7-9010	0	TUBE A		1
	7	31500-GY6-94B	5	BATTERY GTX7A-BS		1
	A	1722A-KGD4-C00	0	COVER ASSY AIR/C CASE		1
	B	1722B-KGE2-E000-FR	0	CASE ASSY AIR/C		1
	C	90652-GY6-9010	0	BAND A CONNECTING		1
	D	93903-25480	0	SCREW TAPPING 5X20		4
	E	17211-KGB4-C000	0	ELEMENT COMP AIR/C		1
	F	11108-KG7-9010	0	TUBE B		1
	G	15772-292-0100	0	CLIP BREATHER TUBE		2
	H	17360-GE1-9000	2	CATCH TANK ASSY		1
	J	95002-02120	0	CLIP B12 TUBE		2

F 15 Exhaust Muffler



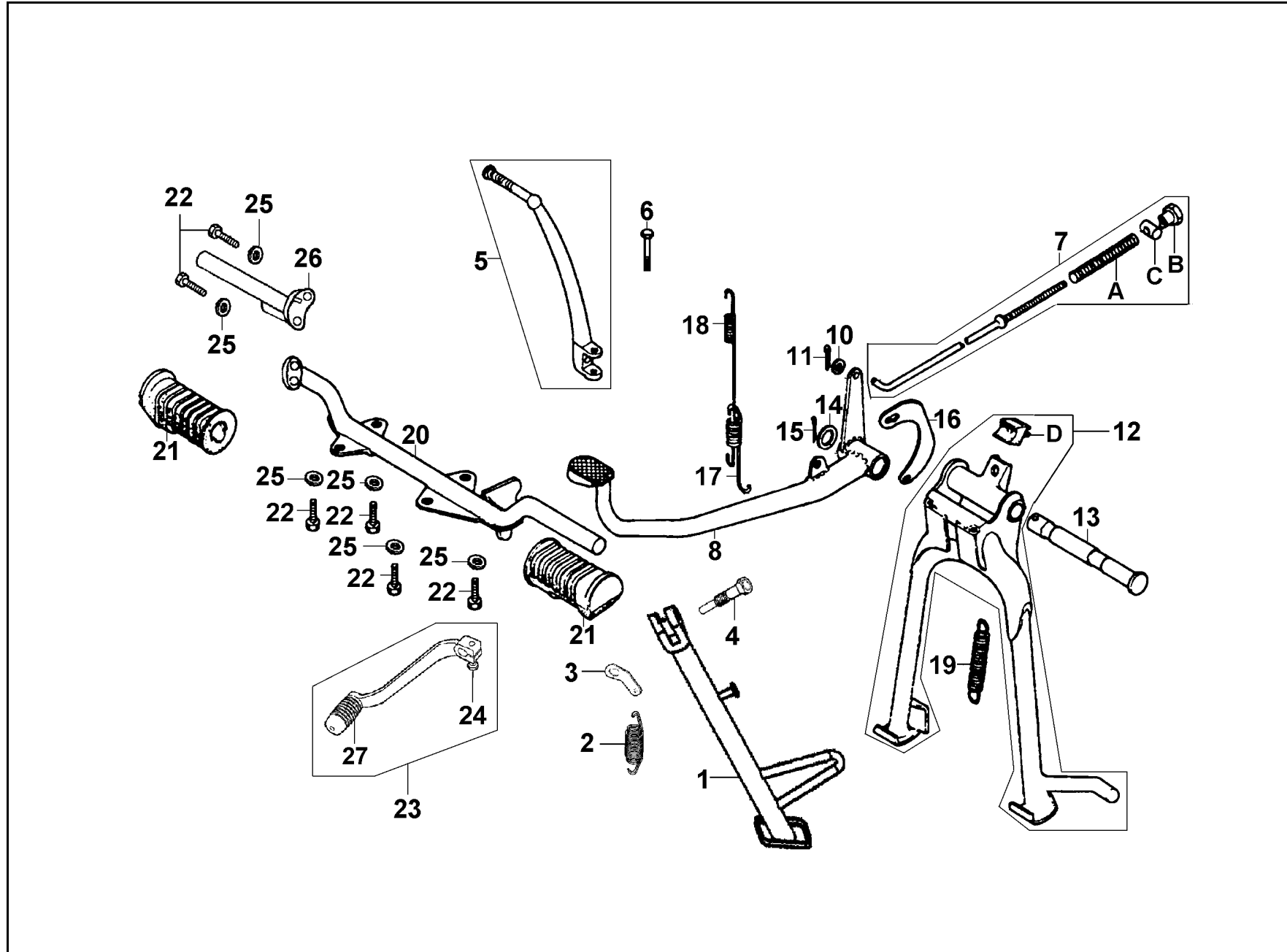
Sales mark	Ref no	Part no	Ver	Description	Chinese	Reqd. no
	1	18231-365-6710	0	JOINT EXH PIPE		1
	2	18233-383-9000	1	COLLAR EXHARST PIPE JOINT		2
	3	18291-216-0010	1	GASKET EXH PIPE		1
	4	18300-KE2-0010	2	MUFFLER COMP EXHAUST		1
	5	94050-06080	0	NUT FLANGE 6MM		2
	A	18353-108-0000	2	BRACKET MUFFLER		1
	B	94001-08080-0S	0	NUT HEX 8MM		2
	C	94111-08800	0	WASHER SPRING 8MM		2

F 16 Pedal ● Stand



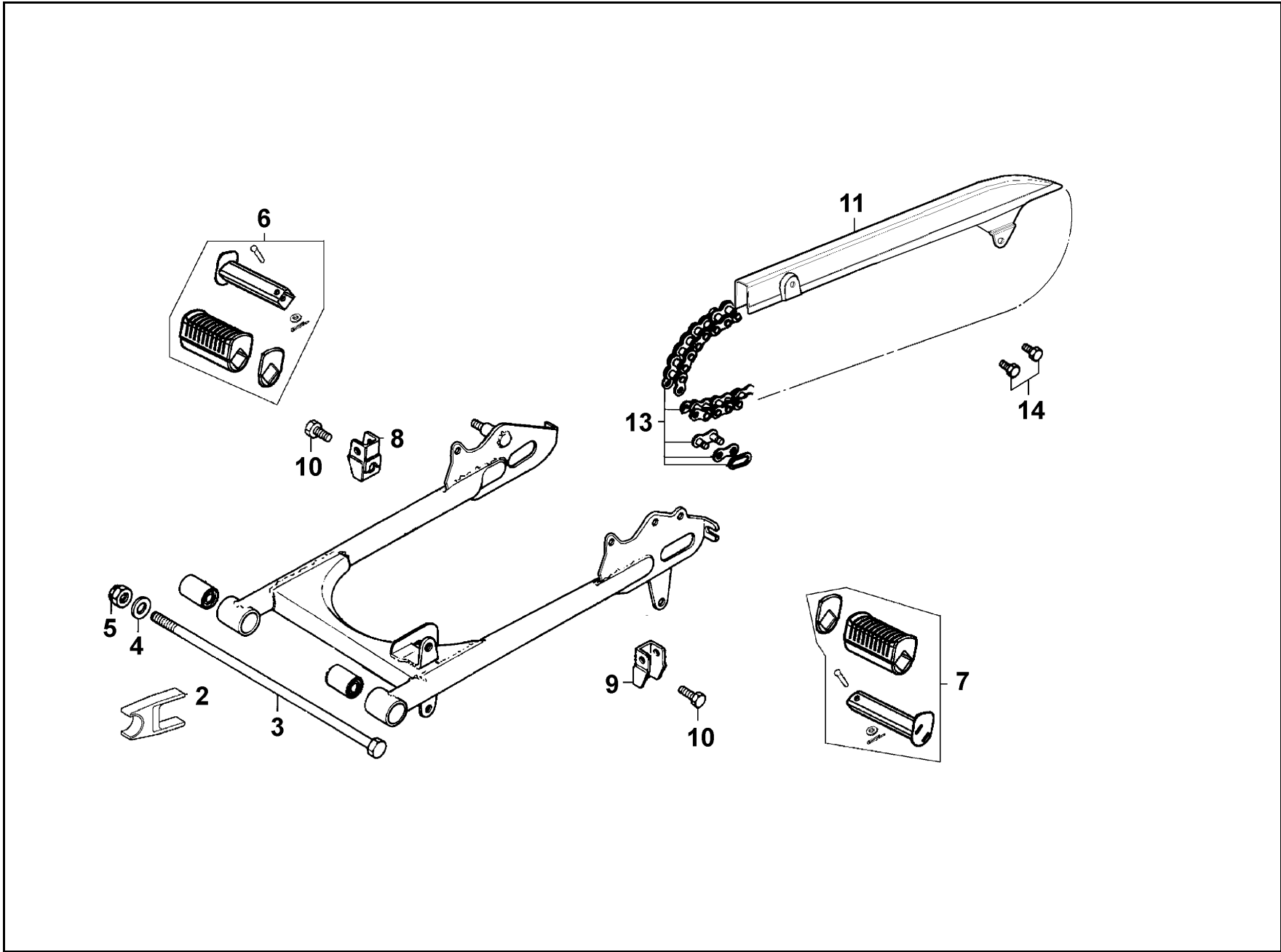
Sales mark	Ref no	Part no	Ver	Description	Chinese	Reqd. no
	1	50530-KKB1-E000	0	BAR COMP SIDE STAND		1
	2	50535-KKB1-E000	0	SPG SIDE STAND		1
	3	50531-KEB7-E000	1	PLATE SPRING STOPPER		1
	4	90108-KFA6-E000	0	SCREW SIDE STAND PIVOT		1
	5	28300-KGE2-C000	0	ARM ASSY KICK STARTER		1
	6	92000-08036-0H	0	BOLT HEX 8X35		1
	7	4345A-KGB4-C000	0	ROD ASSY RR BRAKE		1
	8	46500-KCD-C000	0	PEDAL RR BRAKE		1
	10	94101-06800	0	WASHER PLAIN 6MM		1
	11	94201-16151	0	PIN SPLIT 1.6X15		1
	12	5050A-KGE2-M000-BZ	0	STAND ASSY MAIN		1
	13	50526-383-6710	0	SHAFT MAIN STAND PIVOT		1
	14	90521-028-0010	0	DIA WASHER 17X22		1
	15	94201-30251	0	PIN SPLIT 3X25		1
	16	50523-107-0010	0	HOOK MAIN STAND SPRING		1
	17	46514-107-0110	0	SPRING BRAKE PEDAL		1
	18	35357-107-0110	0	SPRING STOP SWITCH		1
	19	50550-KEB7-E000	1	SPRING ASSY MAIN STAND		1
	20	50610-KE2-9800	9	BAR COMP STEP		1
	21	50661-KG7-0010	1	RUBBER STEP		2

F 16 Pedal ● Stand



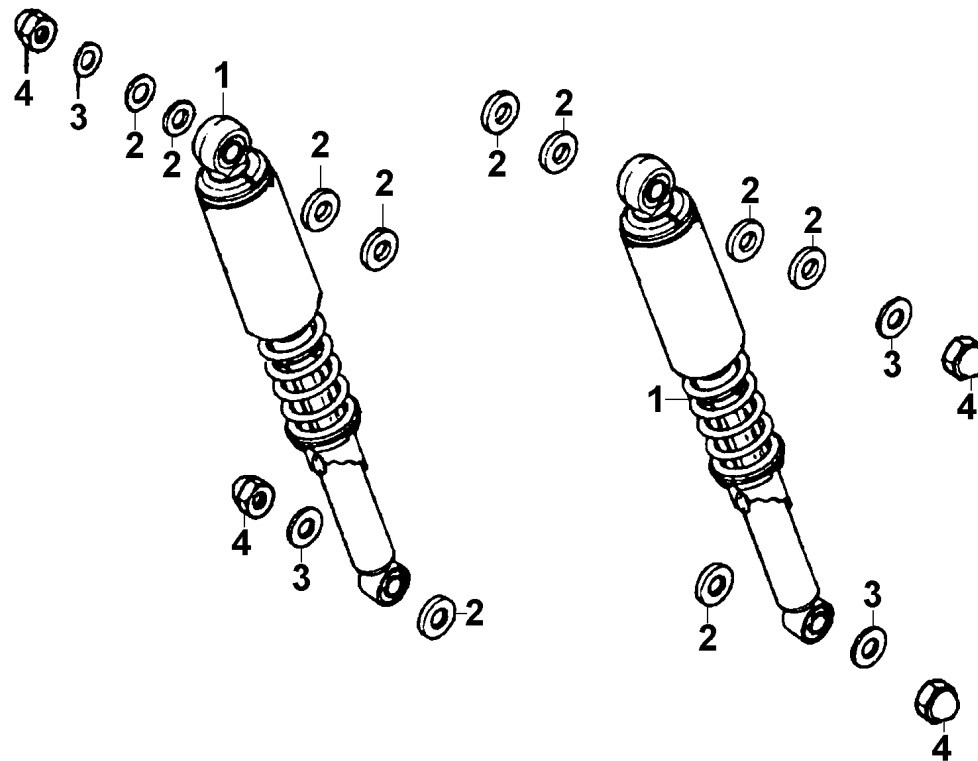
Sales mark	Ref no	Part no	Ver	Description	Chinese	Reqd. no
	22	92000-08020-0H	0	BOLT HEX 8X20		6
	23	24700-KHC6-C000-ZF	0	PEDAL ASSY CHANGE		1
	24	92101-06020-0H	0	BOLT HEX 6X20		1
	25	94111-08800	0	WASHER SPG 8MM		6
	26	50615-KE2-9810	1	ARM COMP SIDE		1
			0			
	27	24781-449-0010	0	RUBBER CHANGE PEDAL		1
A		43472-001-0010	0	REAR BRAKE ROD SPRING		1
B		45462-KAG-9000	0	NUT B ADJUST		1
C		95015-32001	0	JOINT B BRAKE ARM		1
D		50524-397-0010	0	RUBBER STAND STOPPER		1

F 17 Rear Fork ● Chain Case



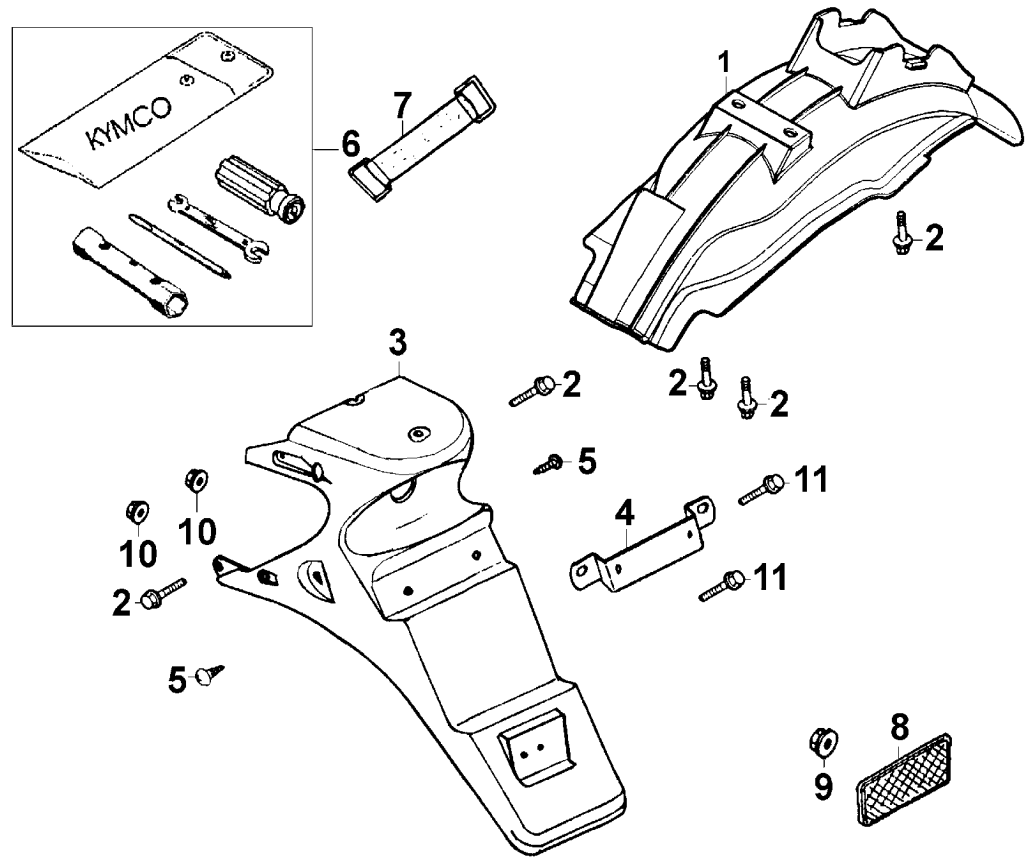
Sales mark	Ref no	Part no	Ver	Description	Chinese	Reqd. no
	2	52107-KG7-0010	0	SLIDER CHAIN		1
	3	90121-KE2-981	4	BOLT RR FIRK PIVOT M12X255		1
	4	94101-12800	0	WASHER PLAIN 12MM		1
	5	90306-GW0-9020-M1	0	NUT U FLANGE 12MM		1
	6	5070A-KGB4-C000	0	BAR R P STEP ASSY		1
	7	5070B-KGB4-C000	0	BAR L P STEP ASSY		1
	8	50711-KGE2-M000-BZ	0	BRACKET PILLION R STEP		1
	9	50712-KGE2-M000-BZ	0	BRAK CET PILLION L STEP		1
	10	95701-08020-08	0	BOLT FLANGE 8X20		2
	11	40510-KGE2-M000-BZ	0	CASE UPPER HALF DRIVE CHAIN		1
	12	95701-06008-07	0	BOLT FLANGE 6X8		2
	13	40530-168-0030	0	CHAIN DRIVE 108L/428HG		1
	A	52110-KGE2-C000	0	FORK COMP REAR		1
	B	52147-028-3000	2	RUBBER BUSH RR FORK PIVOT		2

F 18 Rear Cushion



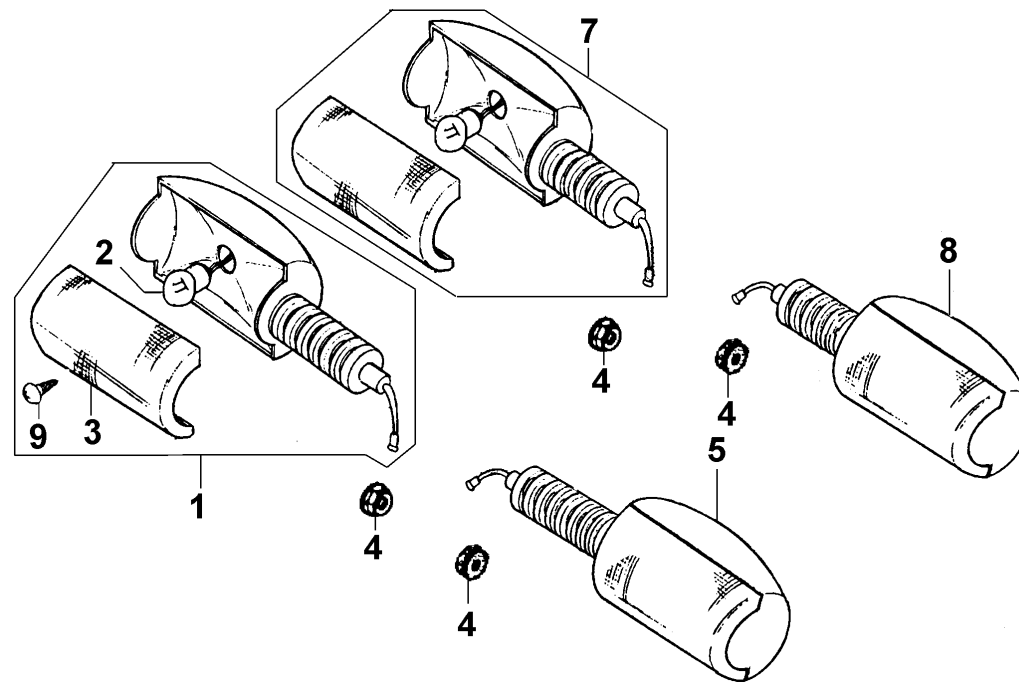
Sales mark	Ref no	Part no	Ver	Description	Chinese	Reqd. no
	1	52400-KGE2-M000	0	CUSHION ASSY RR		2
	2	94101-12800	0	WASHER PLAIN 12MM		10
	3	94101-10800	0	WASHER PLAIN 10MM		4
	4	94021-10020-0S	0	NUT HEX CAP 10MM		4

F 19 Rear Fender



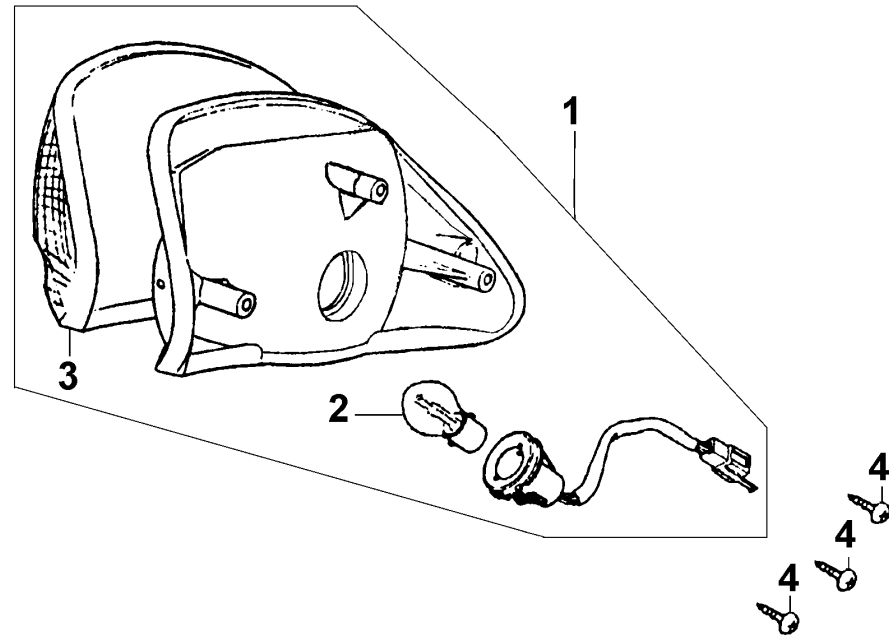
Sales mark	Ref no	Part no	Ver	Description	Chinese	Reqd. no
	1	80106-KGB4-C000	0	FENDER REAR INNER		1
	2	95701-06012-08	0	BOLT FLANGE 6X12		5
	3	80105-KGE2-C000	0	FENDER REAR		1
	4	84707-KGB4-C10	0	WASHER UNDER NUMBER BRACKET		1
	5	93903-34380	0	SCREW TAPPING 4X12		2
	6	89010-KBE2-C000	0	TOOL SET		1
	7	95012-11001	0	BATTERY BAND		1
	8	33741-KGB4-C00	0	LENS REFLECTOR		1
	9	94050-05080	0	NUT FLANGE 5MM		1
	10	94050-06080	0	NUT FLANGE 6MM		2
	11	95701-06016-08	0	BOLT FLANGE 6X16		2

F 20 Winker



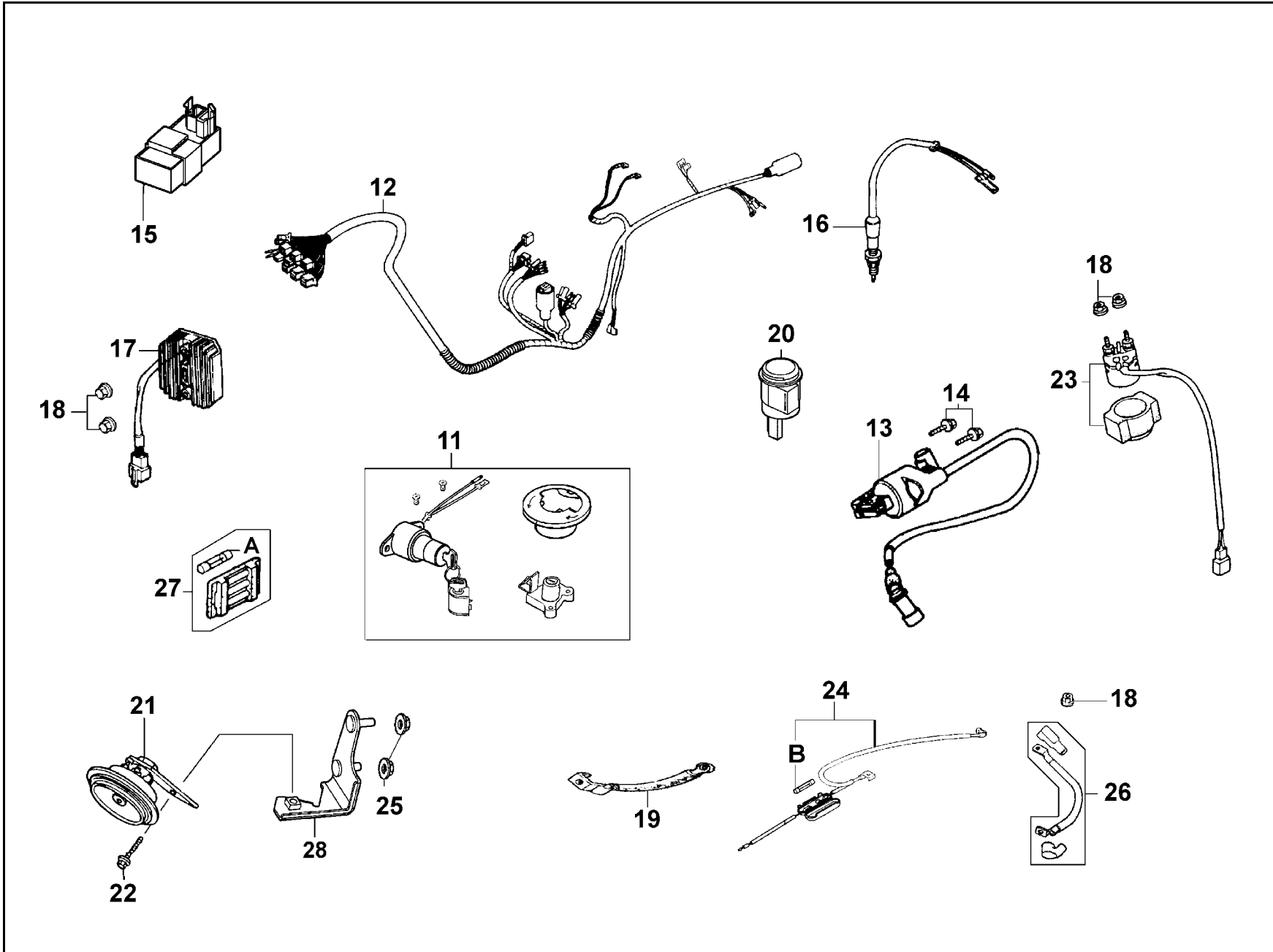
Sales mark	Ref no	Part no	Ver	Description	Chinese	Reqd. no
	1	33400-KKB1-E000	0	WINKER ASSY R FR		1
	2	34905-271-0000	0	BULB WINKER		4
	3	33602-KGB7-C000	0	LENS R FR WINKER		2
	4	94050-10080	0	NUT FLANGE 10MM		4
	5	33450-KKB1-E000	0	WINKER ASSY L FR		1
	6	33652-KGB7-C000	0	LENS L FR WINKER		2
	7	33600-KKB1-E000	0	WINKER ASSY R RR		1
	8	33650-KKB1-E000	0	WINKER ASSY L RR		1
	9	93901-32310	0	SCREW TAPPING 3X12		4

F 21 Tail Light



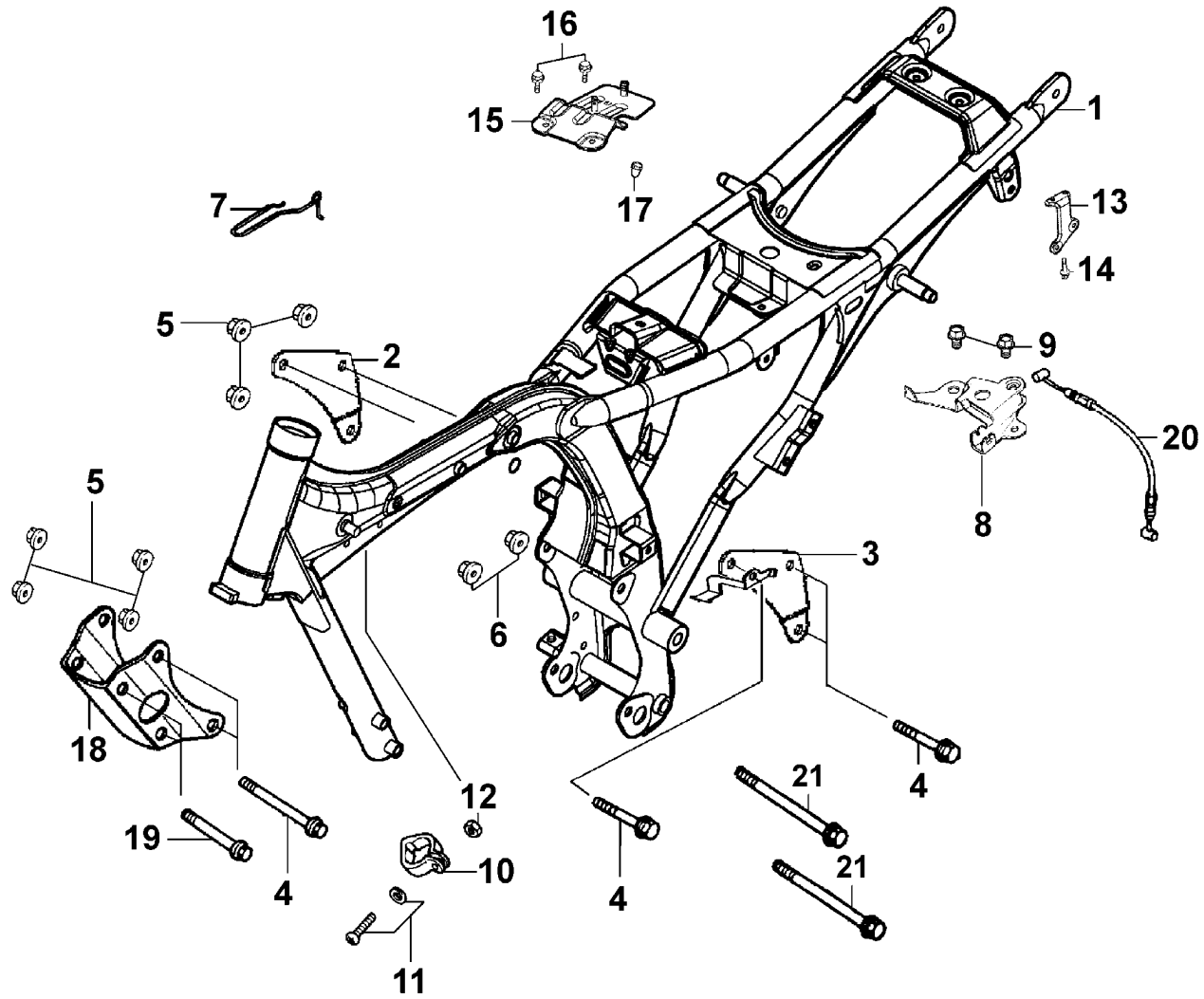
Sales mark	Ref no	Part no	Ver	Description	Chinese	Reqd. no
	1	33700-KKB1-E000	0	LIGHT ASSY RR COMB		1
	2	34906-268-6000	0	BULB TAIL LIGHT		1
	3	33702-KGB4-9000	0	LENS COMP TAIL LIGHT		1
	4	93903-34380	0	SCREW TAPPING 4X12		3

F 22 Wire Harness



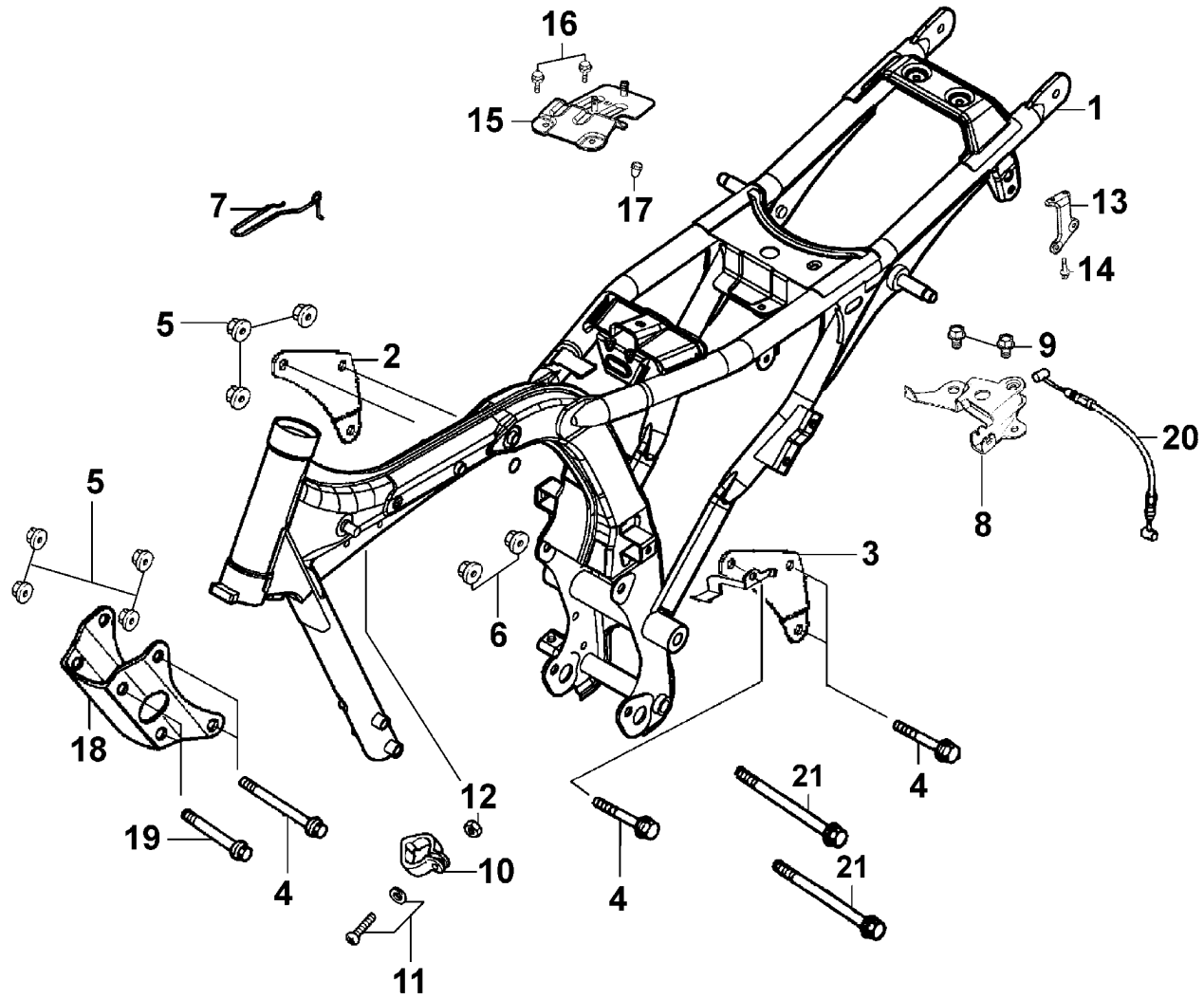
Sales mark	Ref no	Part no	Ver	Description	Chinese	Reqd. no
	11	35010-KBE2-C000	0	KEY SET		1
	12	32100-KGE2-E000-BZ	0	HARNESS WIRE		1
	13	3051A-KGE2-M000	0	COIL ASSY IGNITE		1
	14	90112-KDR-9000	0	BOLT FLANGE 5X22		2
	15	30400-KGE2-M000-BZ	0	UNIT ASSY CDI		1
	16	35350-KAL-900	0	SWITCH RR STOP		1
	17	31600-KR1-7620-M1	2	REG REC COMP		1
	18	94050-06080	0	NUT FLANGE 6MM		5
	19	32401-KAK-9000	0	CORD EARTH		1
	20	38300-GLW0-C11	1	RELAY ASSY WINKER		1
	21	38110-KBH-E000-GM	0	HORN ASSY		1
	22	95701-06014-08	0	BOLT FLANGE 6X14		2
	23	35850-KAK-9000	1	CORD EARTH		1
	24	32402-KGE2-M000-BZ	0	CABLE RELAY BATT		1
	25	94050-06080	0	NUT FLANGE 6MM		2
	26	32410-KAK-9000	0	CABLE START MOTOR		1
	27	3820A-KGB4-C000	0	CASE FUSE ASSY		1
	28	64227-KHC6-C000-ZF	0	STAY HORN		1
	A	98200-10700	0	FUSE A7		1
	B	98200-11500	0	FUSE A15		1

F 23 Frame Body



Sales mark	Ref no	Part no	Ver	Description	Chinese	Reqd. no
	1	50100-KGE2-E000-FR	0	BODY COMP FRAME		1
	2	50353-KHC6-C000-ZF	0	PLATE R ENG UP HANGER		1
	3	50354-KHC6-C000-ZF	0	PLATE L ENG UP HANGER		1
	4	95801-08070-08	0	BOLT FLANGE 8X70		3
	5	94050-08080	0	NUT FLANGE 8MM		7
	6	94050-10080	0	NUT FLANGE 10MM		2
	7	50721-382-6710	0	GUIDE CLUTCH CABLE		1
	8	7723A-KGB4-C000	0	CATCH ASSY SEAT		1
	9	95701-06010-08	0	BOLT FLANGE 6X10		2
	10	22878-KC5-0010	0	CLAMPER CLUTCH CABLE		1
	11	93891-05022-08	0	SCREW WASHER 5X22		1
	12	94050-05080	0	NUT FLANGE 5MM		1
	13	77235-KGB4-C000	0	STAY HELMENT HOLDER		1
	14	95701-06012-08	0	BOLT FLANGE 6X12		1
	15	31605-KGD4-C000	0	STAY REG REC COMP		1
	16	95701-06010-08	0	BOLT FLANGE 6X10		2
	17	90899-422-6110	0	PLUG CORN		1
	18	50351-KG7-0010	1	PLATE FRONT ENGINE HANGER		1
	19	95801-08085-08	0	BOLT FLANGE 8X85		2
	20	77240-KGB4-C000	0	CABLE SEAT CATCH		1

F 23 Frame Body



Sales mark Ref no Part no Ver Description Chinese Reqd. no

21 90019-399-0110 1 BOLT FLANGE 10X113 2

CAUTION

Normal Tire Pressure :

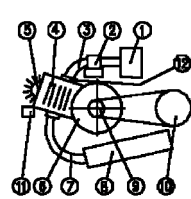
(One Rider) : Front 175kpa 1.75kg/cm² 24psi ; Rear 200kpa 2.00kg/cm² 28psi

(Two Rider) : Front 175kpa 1.75kg/cm² 24psi ; Rear 225kpa 2.25kg/cm² 32psi

Tire Size : Front 2.75-18-4PR ; Rear 2.75-18-4PR

B7505-KGE2-E000

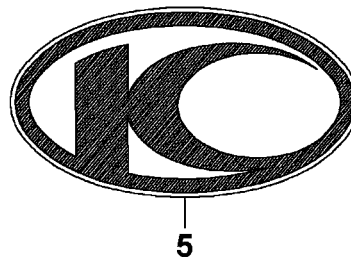
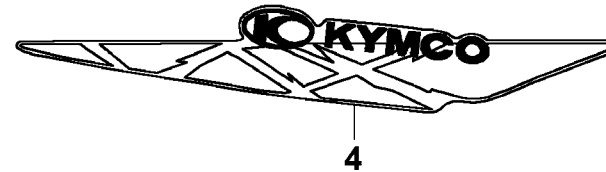
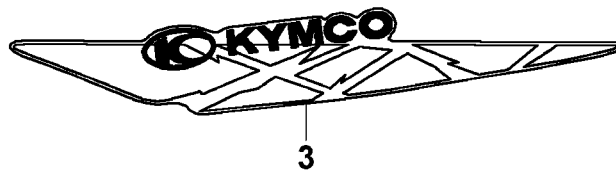
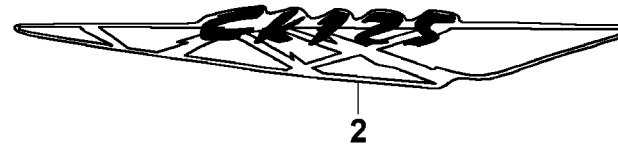
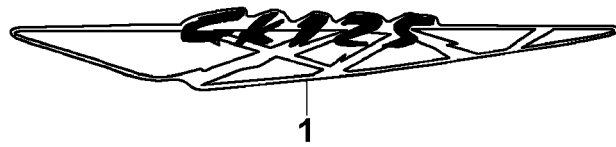
1

<p>TRADE NAME: KYMCO VEHICLE CATEGORY: B</p> 	<p>1. KYMCO KGD4 e4 2. KEJIN KT CWK 3. KYMCO KKA7 4. KAL KYMCO 5. KYMCO KE2 B 6. KDCD 7. _____ 8. e4 KGE2 KYMCO 9. RG30AX 16 10. KKA7 39 11. KYMCO (100mm) (175kg) 12. 525mm KYMCO KE2 B</p>
--	--

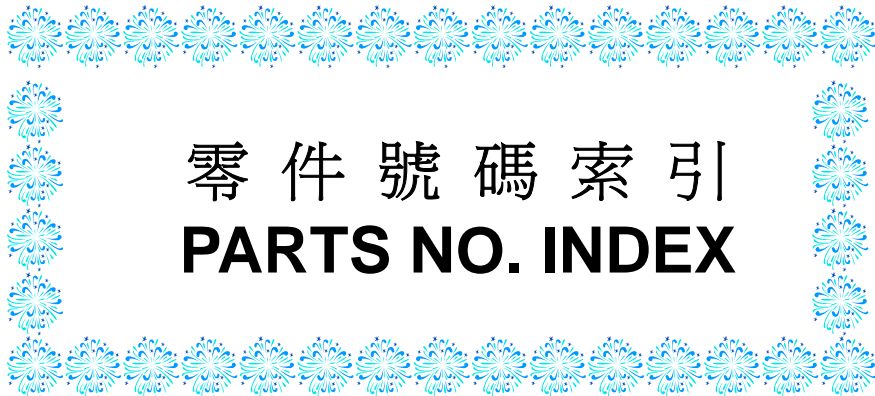
2

Sales mark	Ref no	Part no	Ver	Description	Chinese	Reqd. no
	1	87505-KGE2-E00	0	LABEL TIRE		1
	2	87224-KGE2-E000-FR	0	CAUTION ANTI TAMPERING		1

F 25 Emblem ● Stripe



Sales mark	Ref no	Part no	Ver	Description	Chinese	Reqd. no
**	1	86243-KGE2-M000-BZ	0	STRIPE L FUEL TANK		1
**	2	86223-KGE2-M000-BZ	0	STRIPE R FUEL TANK		1
**	3	86423-KGE2-M000-BZ	0	STRIPE R BODY COVER		1
**	4	86433-KGE2-M000-BZ	0	STRIPE L BODY COVER		1
**	5	86102-KHC7-E00	0	STRIPE K-LOGO'80MM		1



零件號碼索引
PARTS NO. INDEX

零件號碼索引

PART NO. INDEX

零件號碼 PART NO.	版數 VERSION	頁次 PAGE	零件號碼 PART NO.	版數 VERSION	頁次 PAGE	零件號碼 PART NO.	版數 VERSION	頁次 PAGE
11000			13101-383-5000	0	P-37	15441-107-0000	0	P-23
			13111-440-0010	0	P-37	15446-107-0000	0	P-23
1110A-KG7-9010	1	P-33				15451-107-0010	0	P-23
11108-KG7-9010	1	P-85	14000			15459-107-0010	0	P-23
11191-KG7-0010	0	P-33				15650-383-0010	0	P-21
11200-KE2-981	1	P-33	1410A-KE2-9000	0	P-37	15772-292-0100	0	P-85
11330-KE2-C500-KN	1	P-21	14400-397-0210	3	P-17	15772-500-0130	1	P-79
11341-KE2-981	8	P-29	14421-397-0000	5	P-17			
11355-KG7-0010	0	P-29	14422-KAG-9000	2	P-19	16000		
11361-KG7-C00	0	P-29	14423-KE2-9810	1	P-19			
11393-107-0210	0	P-21	14425-KG7-0000-M1	0	P-19	1610K-KE2-E000-FR	0	P-47
11395-KG7-0010	1	P-29	14426-KE2-9800	0	P-19	1621A-KGE2-E000-FR	0	P-13
			14440-397-0000	2	P-17	1691A-GY6-9010-M1	0	P-79
			14511-397-0000	3	P-33	16950-397-631	1	P-79
12000			14521-397-000	2	P-33	16956-KGE2-M90	0	P-79
			14531-397-0000	0	P-33			
			14711-383-0000	0	P-17	17000		
			14721-383-0000	0	P-17			
12100-KAL-9000	8	P-13	14751-324-0000	0	P-17	17100-LAC1-C000	2	P-13
12191-397-0010	0	P-13	14761-324-0000	0	P-17	17211-KGB4-C000	0	P-85
12200-KE2-982	7	P-13	14771-107-0210	0	P-17	1722A-KGD4-C00	0	P-85
12208-413-0040	0	P-17	14775-107-0000	1	P-17	1722B-KGE2-E000-FR	0	P-85
12215-397-0210	0	P-17	14776-107-0100	1	P-17	17256-KKC5-E000	0	P-13
12251-KAL-9000-M1	0	P-13	14781-107-021	2	P-17	17360-GE1-9000	0	P-85
12311-KG7-0010	3	P-15				17510-KGE2-C000	0	P-79
12361-107-0010	0	P-35	15000			17525-KG7-8310	0	P-79
12391-397-0100	2	P-13				17611-286-0010	0	P-79
12431-324-0300	0	P-21	15100-3E65-0010	0	P-23	17613-KW6-9100	0	P-79
			15131-324-0110	1	P-23	17620-KKB1-E000	0	P-79
13000			15421-107-0000	1	P-33	17682-KGE2-M000	0	P-79
			15426-107-0000	0	P-33	17910-KGE2-C000-CK	0	P-57
13000-KG7-3050	0	P-37	15430-440-0300	0	P-23			
13011-383-6210-M2	0	P-37	15436-107-0000	1	P-23			

零件號碼索引

PART NO. INDEX

零件號碼 PART NO.	版數 VERSION	頁次 PAGE	零件號碼 PART NO.	版數 VERSION	頁次 PAGE	零件號碼 PART NO.	版數 VERSION	頁次 PAGE
18000			23426-439-3210	0	P-39	28000		
			23427-439-0010	0	P-39			
18231-365-6710	0	P-87	23431-439-0010	0	P-39	28110-KE2-970	2	P-27
18233-383-9000	1	P-87	23441-439-0010	0	P-39	28117-KE2-9810	0	P-27
18291-216-0010	1	P-87	23451-439-9010	0	P-41	28120-KE2-8210-RP1	0	P-27
18300-KE2-0010	2	P-87	23461-397-0110	1	P-39	28125-426-0010	0	P-27
18353-108-0000	2	P-87	23471-397-0110	1	P-39	28126-323-9000	0	P-27
			23481-439-0010	1	P-39	28130-KE2-9810	0	P-29
			23491-439-0010	0	P-39	28132-KG7-0010	0	P-29
22000			23501-439-0010	0	P-43	28211-397-0110	0	P-41
			23511-439-0110	1	P-43	28221-397-0210	0	P-41
22100-324-0010	3	P-25	23520-383-0010	0	P-39	28251-397-0110	1	P-41
22121-107-0110	2	P-25	23531-439-0010	0	P-39	28253-397-0010	0	P-41
22125-KAK-9000	1	P-25	23801-KCY-9000	0	P-41	28261-397-0010	2	P-41
22201-KAK-9000	0	P-25	23811-KR3-6010	0	P-41	28262-397-0010	0	P-41
22202-KAK-9000	0	P-25				28263-397-0010	0	P-41
22311-107-0010	0	P-25				28270-397-0210	0	P-41
22350-107-0120	4	P-25	24000			28300-KGE2-C000	0	P-89
22361-107-0010	0	P-25						
22366-383-0010	0	P-25	24211-107-0020	0	P-45			
22402-KAK-9000	1	P-25	24221-355-0020	0	P-45	30000		
22810-365-0010	0	P-21	24231-107-0110	0	P-45			
22816-355-0000	1	P-21	24241-107-0010	0	P-45	30400-KGE2-M000-BZ	0	P-103
22821-355-0010	0	P-21	24301-KHC6-C000-ZF	0	P-45	3051A-KGE2-M000	0	P-103
22838-355-0010	0	P-33	24411-KAK-9000	0	P-45	30905-216-0010	0	P-29
22850-355-0010	0	P-25	24430-324-0010	0	P-45			
22870-KGE2-C000	0	P-57	24435-383-0110	0	P-45			
22878-KC5-0010	0	P-105	24610-KE2-C300	1	P-45	31000		
			24621-107-7610	0	P-45			
			24631-107-0010	0	P-45	31110-KE2-9600	1	P-27
23000			24651-398-9410	0	P-45	31110-KE2-9600-M2	1	P-27
			24700-KHC6-C000-ZF	0	P-91	31120-KE2-C100-M1	0	P-27
23121-383-0010	0	P-23	24781-449-0010	0	P-91	31120-KE2-C100-M2	0	P-27
23211-383-0010	0	P-39				31200-KE2-9810	0	P-27
-116- 23221-107-0210	1	P-39				31241-KE2-9810	1	P-27

零 件 號 碼 索 引

PART NO. INDEX

零 件 號 碼 PART NO.	版 數 VERSION	頁 次 PAGE	零 件 號 碼 PART NO.	版 數 VERSION	頁 次 PAGE	零 件 號 碼 PART NO.	版 數 VERSION	頁 次 PAGE
31500-GY6-94B	5	P-85	34901-KAB-9000	0	P-51	40510-KGE2-M000-BZ	0	P-93
31600-KR1-7620-M1	2	P-103	34905-271-0000	0	P-99	40530-168-0030	0	P-93
31605-KGD4-C000	0	P-105	34906-268-6000	0	P-101	4054A-KGB4-C000	0	P-73
			34908-GA7-7010-M1	1	P-51			
32000			35000			41000		
32100-KGE2-E000-BZ	0	P-103				4120A-KKA7-E000	0	P-75
32161-404-0000	2	P-61	35010-KBE2-C000	0	P-103	41241-307-0110	0	P-75
32401-KAK-9000	0	P-103	3501A-KGE2-M000-BZ	0	P-53			
32402-KGE2-M000-BZ	0	P-103	35100-KKB1-C000	0	P-55			
32410-KAK-9000	0	P-103	3515A-KGD4-C000	0	P-57	42000		
32410-KG7-0010	0	P-27	3520A-KGD4-C000	0	P-57			
32906-107-0010	0	P-13	35340-KBN-9000	0	P-57	42301-KE2-9810	2	P-73
32976-107-0010	0	P-29	35350-KAL-900	0	P-103	42311-KG7-0010	0	P-73
			35357-107-0110	0	P-89	42313-KG7-0000	1	P-75
33000			35759-KHC6-C000-ZF	0	P-35	42601-KGE2-M000-BZ	0	P-75
			35850-KAK-9000	1	P-103	42620-235-0010	0	P-75
33100-KKB1-E000	0	P-51				42710-KGD4-C000-H	0	P-75
33130-KGB4-C000	0	P-51	37000			42753-ML7-0050	0	P-71
33400-KKB1-E000	0	P-99						
33450-KKB1-E000	0	P-99	37200-KGD4-C000	0	P-53	43000		
33600-KKB1-E000	0	P-99	37250-KGE2-M000-BZ	0	P-53			
33602-KGB7-C000	0	P-99	37260-397-C000	0	P-53	43000-KG7-840-NJA	2	P-73
33650-KKB1-E000	0	P-99				43100-KG7-8320	0	P-73
33652-KGB7-C000	0	P-99				43120-KG7-0020	3	P-73
33700-KKB1-E000	0	P-101	38000			43141-KG7-0000	1	P-73
33702-KGB4-9000	0	P-101				43352-568-0030	3	P-69
33741-KGB4-C00	0	P-67	38110-KBH-E000-GM	0	P-103	43353-461-7710-M1	0	P-69
33741-KGB4-C00	0	P-97	3820A-KGB4-C000	0	P-103	43410-KE2-9000	0	P-73
			38300-GLW0-C11	1	P-103	43431-KG7-0010	1	P-75
34000			40000			43434-286-0010	0	P-75
						4345A-KGB4-C000	0	P-89
						43472-001-0010	0	P-91

零件號碼索引

PART NO. INDEX

零件號碼 PART NO.	版數 VERSION	頁次 PAGE	零件號碼 PART NO.	版數 VERSION	頁次 PAGE	零件號碼 PART NO.	版數 VERSION	頁次 PAGE
			45462-KAG-9000	0	P-91	50721-382-6710	0	P-105
			45500-KGD4-C000	0	P-57			
			45517-KFA5-E000-IT	0	P-59			
44000			45517-KAK-90000	0	P-57	51000		
44301-KG7-900	2	P-71						
44311-046-0010	0	P-71				51400-KGE2-M000-BZ	0	P-67
44601-KGE2-C000	0	P-71	46000			51500-KGE2-M000-BZ	0	P-67
44620-400-0000	0	P-71				51602-KKB1-E000	0	P-53
44680-410-0010	0	P-71	46500-KCD-C000	0	P-89			
44710-KGD4-C000-H	0	P-71	46514-107-0110	0	P-89			
44800-KGD4-C000	0	P-71				52000		
44830-KHC7-C000-ZF	0	P-53						
			50000			52107-KG7-0010	0	P-93
						52110-KGE2-C000	0	P-93
45000			50100-KGE2-E000-FR	0	P-105	52147-028-3000	2	P-93
			50301-041-0110	0	P-61	52400-KGE2-M000	0	P-95
45105-KGE2-E000	0	P-69	5032A-KGE2-M000	0	P-85			
45108-GE2-0070	2	P-69	50351-KG7-0010	1	P-105			
45109-GE2-0060	0	P-69	50353-KHC6-C000-ZF	0	P-105	53000		
45121-KGE2-C000	0	P-71	50354-KHC6-C000-ZF	0	P-105			
45127-KGD4-C00	0	P-67	5050A-KGE2-M000-BZ	0	P-89	53100-KGE2-M000-BZ	0	P-61
45126-KGE2-M000	0	P-57	50523-107-0010	0	P-89	53131-398-9400	0	P-61
45131-166-0160	0	P-69	50524-397-0010	0	P-91	53132-237-6800	0	P-61
45131-GE2-0060	1	P-69	50526-383-6710	0	P-89	53133-398-9400	0	P-61
45132-166-0160	0	P-69	50530-KKB1-E000	0	P-89	53134-283-0010	0	P-63
45133-240-0000	1	P-73	50531-KEB7-E000	1	P-89	5313A-398-9400	0	P-61
45133-MA3-0060	0	P-69	50535-KKB1-E000	0	P-89	53140-KGB4-C000	0	P-57
45134-250-0000	0	P-73	50550-KEB7-E000	1	P-89	53166-KC5-0010	0	P-57
45156-KGD4-C000	0	P-67	50610-KE2-9800	9	P-89	53172-KGD4-C000	0	P-57
45200-KGE2-E000-BZ	0	P-69	50615-KE2-9810	1	P-91	53173-KG7-9010	0	P-57
45203-MG3-0100	6	P-69	50661-KG7-0010	1	P-89	53175-KGE2-M000	0	P-57
45209-GE2-0060	0	P-69	5070A-KGB4-C000	0	P-93	53178-KEC2-E00-NJA	0	P-59
45215-GE2-0060	0	P-69	5070B-KGB4-C000	0	P-93	5317A-KGD4-C000	0	P-57
45216-166-0060	0	P-69	50711-KGE2-M000-BZ	0	P-93	53192-KAK-9000	0	P-59
45451-471-0010	1	P-65	50712-KGE2-M000-BZ	0	P-93	53200-KGD4-C000	0	P-61

零件號碼索引

PART NO. INDEX

零件號碼 PART NO.	版數 VERSION	頁次 PAGE	零件號碼 PART NO.	版數 VERSION	頁次 PAGE	零件號碼 PART NO.	版數 VERSION	頁次 PAGE
53211-028-0110	1	P-61	7723A-KGB4-C000	0	P-105	86243-KGE2-M000-BZ	0	P-111
53212-030-0110	0	P-61	77240-KGB4-C000	0	P-105	86423-KGE2-M000-BZ	0	P-111
53214-001-0110	0	P-61				86433-KGE2-M000-BZ	0	P-111
53215-001-0010	0	P-61						
53220-098-6710	0	P-61	80000					
53230-LLC1-E000	0	P-61				87000		
53600-KKB1-E000	0	P-63	80101-283-0000	3	P-53			
			80102-KGD4-C00	0	P-53	87505-KGE2-E00	0	P-109
			80105-KGE2-C000	0	P-97	87224-KGE2-E000-FR	0	P-109
61000			80106-KGB4-C000	0	P-97			
6110A-KGD4-C000	0	P-65				88000		
61101-KGD4-C000	0	P-65	81000					
61102-KGD4-C000	0	P-65						
61301-KGB7-C000	0	P-51	81200-KGD4-E000	0	P-81	88110-KGD4-E000	0	P-57
61312-KGD4-C00	0	P-53				88120-KGD4-E000	0	P-57
61316-471-0010	0	P-53						
61401-KGE2-C10	0	P-63	83000			89000		
61405-KGD4-C000	0	P-53						
61406-KGE2-C000	0	P-63	83500-KGB4-C000	0	P-83	89010-KBE2-C000	0	P-97
			83551-KAK-9000	0	P-79			
64000			83551-KAK-9000	0	P-83			
			83600-KGB4-C000	0	P-83	90000		
64227-KHC6-C000-ZF	0	P-103						
64304-KGE2-C000	0	P-83	84000			90001-397-0010	0	P-33
64305-KGE2-C000	0	P-83				90012-415-0010	0	P-17
64316-KGD4-C000	0	P-81	84706-KG7-9000	0	P-53	90019-399-0110	1	P-107
			84707-KGB4-C10	0	P-97	90023-KG7-0010	0	P-27
77000						90032-377-0110	1	P-33
			86000			90034-397-0110	1	P-33
77200-KGE2-C000	0	P-81				90081-355-0010	0	P-33
77235-KGB4-C000	0	P-105	86102-KHC7-E00	0	P-111	90084-KG7-C00	0	P-29
77239-KKB1-3050	0	P-81	86223-KGE2-M000-BZ	0	P-111	90087-428-C00	0	P-31
						90101-440-0010	0	P-23

零件號碼索引

PART NO. INDEX

零件號碼 PART NO.	版數 VERSION	頁次 PAGE	零件號碼 PART NO.	版數 VERSION	頁次 PAGE	零件號碼 PART NO.	版數 VERSION	頁次 PAGE
90106-KGD4-C00	0	P-81	90451-365-0010	0	P-39	91201-324-0240	0	P-21
90108-KFA6-E000	0	P-89	90452-107-0010	0	P-39	91204-259-0060	0	P-21
90108-KGD4-C00	0	P-81	90453-107-0020	0	P-39	91205-393-0040	0	P-33
90112-KDR-9000	0	P-103	90453-235-0010	0	P-41	91206-286-0140	0	P-33
90112-MC7-0010	0	P-83	90454-107-0010	0	P-41	91252-030-0000	0	P-71
90113-422-0000	2	P-59	90455-107-0010	0	P-39	91258-410-0000-M2	0	P-71
90114-KAK-9000	0	P-59	90458-324-0110	0	P-21	91301-KE2-710	0	P-21
90121-KE2-981	4	P-93	90459-107-0010	0	P-41	91302-567-0040	0	P-29
90122-KGD4-C00	0	P-69	90461-107-0010	0	P-25	91303-107-0000	1	P-33
90126-292-0010	0	P-17	90462-107-0010	0	P-41	91303-377-0010	0	P-29
90126-397-0010	0	P-13	90474-147-0010	0	P-27	91304-107-0010	0	P-23
90127-240-9010	1	P-75	90503-051-8700	0	P-61	91307-035-0010	0	P-21
90128-216-0010	0	P-77	90521-028-0010	0	P-89	91318-590-0010	0	P-19
90145-961-0110	0	P-57	90522-222-0010	0	P-77	91319-300-0010	1	P-33
90155-KG7-0010	0	P-61	90522-KGD4-C000	0	P-53	91333-567-0200	0	P-17
90164-028-9000	1	P-63	90522-KGD4-C000	0	P-65	91359-371-0040	0	P-29
90206-250-0010	0	P-17	90525-001-0000	0	P-73			
90231-200-0110	1	P-23	9052A-GY6-9500	0	P-33			
90301-473-0040	0	P-71	90545-300-0010	2	P-57	92000		
90302-SA4-0040	1	P-83	90549-121-0000	0	P-73			
90304-195-6710	0	P-61	90605-200-0010	0	P-39	92000-05020-0H	0	P-23
90305-KW6-9120-M1	0	P-75	90664-216-9000	0	P-75	92000-06010-0H	0	P-41
90306-397-0010	0	P-13	90701-GY6-960	0	P-27	92000-06012-0H	0	P-13
90306-GW0-9020-M1	0	P-71	90757-439-9310	0	P-75	92000-06020-0H	0	P-45
90306-GW0-9020-M1	0	P-93	90899-422-6110	0	P-105	92000-06022-0G	0	P-13
90321-KAK-9000	0	P-59				92000-06025-0H	0	P-45
90428-958-0010	0	P-17				92000-08020-0H	0	P-91
90441-028-0110	0	P-13	91000			92000-08036-0H	0	P-63
90442-028-0010	0	P-17				92000-08036-0H	0	P-89
90442-028-0010	0	P-13	91001-440-0040	0	P-37	92000-08040-0H	0	P-61
90442-397-0010	0	P-35	91002-KB5-00A	0	P-37	92001-06036-0H	0	P-73
90444-397-0010	0	P-17	91021-148-0050	0	P-31	92101-06020-0H	0	P-91
90451-001-0010	0	P-45	91021-148-0050	0	P-35	92201-05025-0H	0	P-27
90451-001-0010	0	P-45	91101-179-7110-M1	0	P-27	92700-06035-3E	0	P-13
90451-107-0000	1	P-39	91201-030-0330	0	P-41	92812-10000	0	P-75

零件號碼索引

PART NO. INDEX

零件號碼 PART NO.	版數 VERSION	頁次 PAGE	零件號碼 PART NO.	版數 VERSION	頁次 PAGE	零件號碼 PART NO.	版數 VERSION	頁次 PAGE
92900-06018-1B	0	P-71	94021-10020-0S	0	P-95	94251-08800	0	P-23
			94031-10080	0	P-77	94301-08140	0	P-21
93000			94050-05080	0	P-65	94301-10140	0	P-29
			94050-05080	0	P-97	94301-10140	0	P-33
			94050-05080	0	P-105	94301-10200	0	P-13
93404-06020-08	0	P-53	94050-06080	0	P-53	94401-25140-M1	0	P-37
93500-05016-0H	0	P-27	94050-06080	0	P-57	94510-12000	0	P-45
93500-06012-0H	0	P-53	94050-06080	0	P-67	94510-14000	0	P-45
93500-06050-0A	0	P-33	94050-06080	0	P-87	94510-16000	0	P-41
93600-04012-1A	0	P-23	94050-06080	0	P-97	94510-20000	0	P-25
93700-05008-0H	0	P-51	94050-06080	0	P-103	94510-20000	0	P-41
93700-05012-0H	0	P-23	94050-06080	0	P-103	94524-47000	0	P-75
93700-05016-0H	0	P-71	94050-08080	0	P-61	94601-15000-M1	0	P-37
93700-05020-0A	0	P-53	94050-08080	0	P-69			
93891-05012-07	0	P-65	94050-08080	0	P-105			
93891-05022-08	0	P-105	94050-10080	0	P-99	95000		
93893-04012-18	0	P-57	94050-10080	0	P-105			
93901-32310	0	P-99	94101-06800	0	P-53	95002-02080	0	P-79
93903-25480	0	P-85	94101-06800	0	P-73	95002-02120	0	P-85
93903-34280	0	P-83	94101-06800	0	P-89	95005-KG7-9010	0	P-85
93903-34380	0	P-97	94101-08800	0	P-63	9500A-KGB4-C000	0	P-79
93903-34380	0	P-101	94101-08800	0	P-75	95012-11001	0	P-97
			94101-10800	0	P-95	95014-75110-M1	0	P-25
94000			94101-12800	0	P-93	95015-32001	0	P-91
			94101-12800	0	P-95	95701-06008-07	0	P-93
			94102-12800	0	P-13	95701-06010-08	0	P-85
94001-05080-0S	0	P-53	94111-06800	0	P-73	95701-06010-08	0	P-105
94001-06080-0S	0	P-13	94111-08800	0	P-91	95701-06012-08	0	P-63
94001-06080-0S	0	P-73	94111-10800	0	P-75	95701-06012-08	0	P-67
94001-06080-0S	0	P-73	94111-08800	0	P-87	95701-06012-08	0	P-83
94001-08080-0S	0	P-75	94201-16151	0	P-77	95701-06012-08	0	P-97
94001-08080-0S	0	P-75	94201-16151	0	P-89	95701-06012-08	0	P-105
94001-08080-0S	0	P-87	94201-20151	0	P-21	95701-06014-08	0	P-103
94001-10080-0S	0	P-63	94201-20151	0	P-75	95701-06016-08	0	P-65
94021-06080-0S	0	P-53	94201-30251	0	P-89	95701-06016-08	0	P-85

零 件 號 碼 索 引

PART NO. INDEX

零 件 號 碼 PART NO.	版 數 VERSION	頁 次 PAGE	零 件 號 碼 PART NO.	版 數 VERSION	頁 次 PAGE	零 件 號 碼 PART NO.	版 數 VERSION	頁 次 PAGE
95701-06016-08	0	P-97	96120-62020-00	0	P-39			
95701-06022-07	0	P-85	96120-63010-10	0	P-71			
95701-06022-08	0	P-25	96120-63030-10	0	P-75			
95701-06025-08	0	P-35	96211-06000	0	P-61			
95701-06025-08	0	P-65	96220-40100-M1	0	P-45			
95701-06028-08	0	P-13	96600-08015-10	1	P-29			
95701-06028-08	0	P-27						
95701-08016-08	0	P-51						
95701-08020-08	0	P-93	98000					
95701-08035-08	0	P-79						
95701-KLE-E000-BL	0	P-15	98069-5771R	0	P-13			
95801-08070-08	0	P-105	98200-10700	0	P-103			
95801-08085-08	0	P-105	98200-11500	0	P-103			
96000								
96001-06010-08	0	P-81						
96001-06012-08	0	P-19						
96001-06012-08	0	P-27						
96001-06020-08	0	P-59						
96001-06020-08	0	P-29						
96001-06025-08	0	P-29						
96001-06025-08	0	P-29						
96001-06028-08	0	P-29						
96001-06040-08	0	P-21						
96001-06040-08	0	P-29						
96001-06050-08	0	P-21						
96001-06050-08	0	P-29						
96100-60010-00	0	P-25						
96100-60060-00	0	P-35						
96100-60060-00	0	P-39						
96100-62040-00	0	P-35						
96100-62040-00	0	P-41						
96120-62020-00	0	P-35						